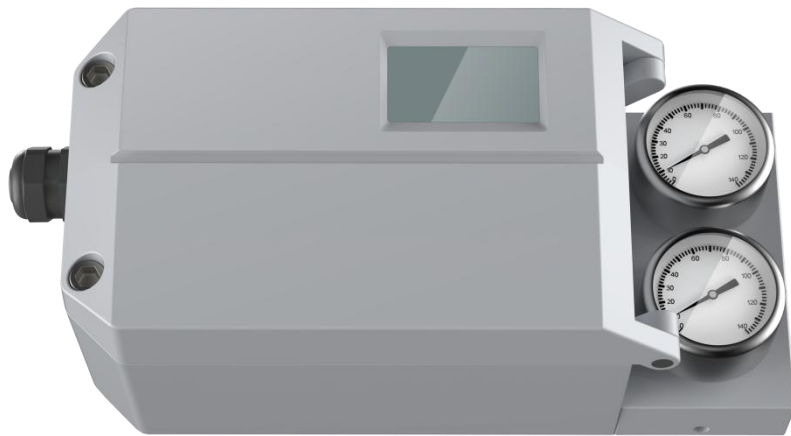


Intelligent Valve Positioner

IP5500 Series User's Manual



Contents

1. Overview	1
2. One-key automatic initialization	1
3. Selection and ordering data	2
4. Technical data	3
5. Connection description	4
6. Dimension	5
6.1. Mechanical dimension	5
6.2. Mounting bracket dimension	6
6.3. Dimension of linear stroke feedback lever	10
6.4. Sensor dimension for remote type	11
7. Installation	12
7.1. Linear stroke (normal type or remote type)	12
7.2. Rotary stroke (normal type or remote type)	19
8. Operation	24
8.1. Interface description	24
8.2. Display and operation of main interface	25
8.3. Menu and functions	27
8.3.1. Display and operation of menu	27
8.3.2. Functions description and operation	27
8.3.2.1. TYPE	27
8.3.2.2. INITA	27
8.3.2.3. INITM	27
8.3.2.4. CAL	28
8.3.2.5. SDIR	28
8.3.2.6. CHAR	29
8.3.2.7. FREE	31
8.3.2.8. DB	31
8.3.2.9. LIM	32
8.3.2.10. YDIR	32
8.3.2.11. CUT	33
8.3.2.12. WP	34
8.3.2.13. FACT	34
8.3.2.14. REF	34
8.3.3. Error message during initialization	34
8.3.4. Tips of menu option or function cannot access	35
8.3.5. Menu function options summary description	36
8.4. Feedback signal	37
8.5. Adjust air flow	37
9. Trouble shooting	38

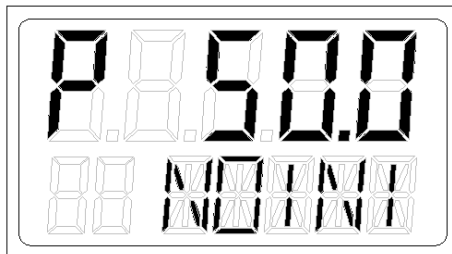
10. Warranty terms 39



1. Overview


IP5500 intelligent valve positioner is mounted on pneumatic actuators. It's used to control air intake and exhaust of the pneumatic actuators to drive the valve position to the set point by calculating both data from 4-20mA DC signal and feedback position.



2. One-key automatic initialization

1. Please read the installation instructions in **chapter 7** before installing the positioner. Install the positioner according to the installation requirements described. Please pay attention to some installation points. For example, confirm the initial position of the feedback axis of the positioner or remote sensor before installation. Do not turn the feedback axis 360° during installation. For the positioner of normal linear type, make the upper plane of the positioner housing at a right angle to the main stem of the valve. Within the valve stroke range, the rotation angle of the positioner feedback lever meets the installation requirements.
2. After installing the positioner on the valve, connect the air source and electrical cables. Ensure that the air source pressure can fully open the valve. Power on the positioner by DC 24V.
3. After the positioner is powered on, Positioner is in the uninitialized state before initialization. When LCD displays the sign **NOINI**, interface displays percentage value of sensor in the top line. As shown below.



In this state, pressing   buttons can open and close valve. Open and close valve fully, and observe the percentage value of sensor displayed on the interface. Ensure that within the entire valve stroke range, the minimum sensor percentage value $\geq 5\%$, and the maximum sensor percentage value $\leq 95\%$. Otherwise, the installation needs to be readjusted. For linear stroke, the position of the feedback lever drive pin or installation position needs to be adjusted. For rotary stroke, the installation position needs to be adjusted. In addition, for linear stroke, the minimum and maximum percentage difference of sensor rotation displayed on the interface is required to be greater than 30%.

4. The actuator type has been set before the positioner leaves the factory. The user only needs one-key operation to execute the automatic initialization (**INITA**) function to complete the matching of the valve. In the initial interface (**NOINI**) or manual / automatic mode interface, press and hold  button for approx. 3s to run the automatic initialization. After the

initialization is completed, **FINSH** is displayed on the LCD, press  button to exit. After exiting, the system enters the manual mode interface, press  button again to switch to the automatic mode. At this time, the user can control the valve position through the 4-20mA signal. For some reasons, the system will display an error message in the function option line during the automatic initialization process and the automatic initialization will be interrupted. Descriptions of error messages and solutions are showed in chapter 8.3.3.

3. Selection and ordering data



Remarks:

The positioner's power-off or signal-off state is freeze.

4. Technical data

Material	Aluminum
Power supply	24V DC \pm 10%
Set-point Signal	4~20mA DC
Ambient Temperature	-20~70°C
Gas Source Requirement	ISO 8573-1 <ul style="list-style-type: none"> ● Solid particle size and density Class 3 ● Dew point Class 3 ● Oil content Class 3
Vibration Resistance	0.15mm,10Hz-60Hz,20 cycle/axis 20m/ s ² ,60Hz-500Hz,20 cycle/axis Recommended range for control valve \leq 20 m/s ² , no resonance peak
Supply Pressure	0.14~0.7MPa
Flow	75L/min (Sup=0.14MPa)
Basic error	\leq 1.0%
Hysteresis error	\leq 1.0%
Electrical Connection	M20×1.5
Pneumatic Connection	G1/4
Weight	1.5 kg
Protection Class	IP66

5. Connection description

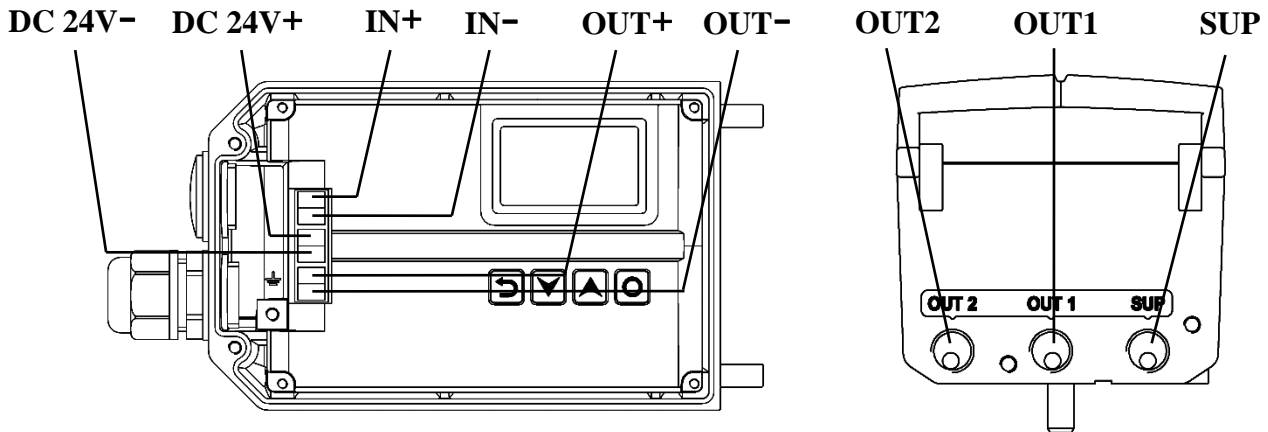


Figure 1. Connection description

Electrical Connection	Description
IN+	4-20 mA set-point signal +
IN-	4-20 mA set-point signal -
DC 24V +	Power supply DC 24V +
DC 24V -	Power supply DC 24V -
OUT+	4-20 mA feedback signal +
OUT-	4-20 mA feedback signal -

Pneumatic Connection	Description
SUP	Air supply enter
OUT1	Pilot air outlet 1
OUT2	Pilot air outlet 2, used for double acting type.

NOTES :

- **Electrical cables must use shielded twisted pair or shielded wires. Connect one end of the cable shielding layer to the \perp screw outside the casing or the \perp screw inside the casing, and the other end to the ground. So that the device is effectively grounded to prevent electromagnetic interference.**
- **Keep electrical cables away from strong magnetic fields.**
- **Must install or remove the electrical cable when the device is powered off.**

6. Dimension

6.1. Mechanical dimension

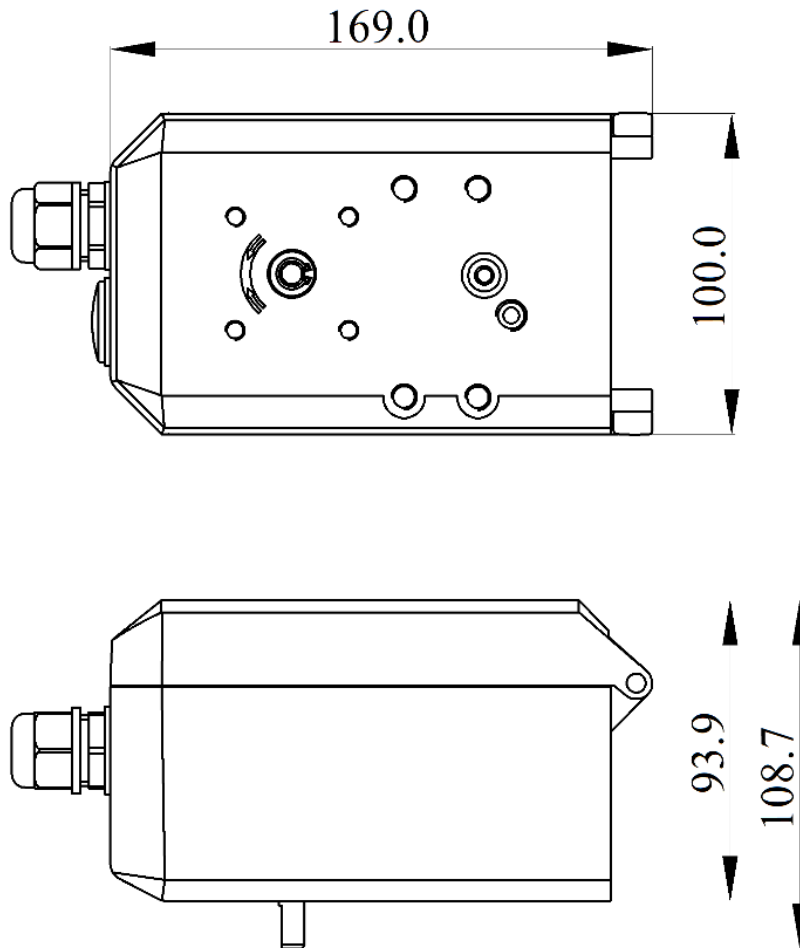


Figure 2. Mechanical dimension

6.2. Mounting bracket dimension

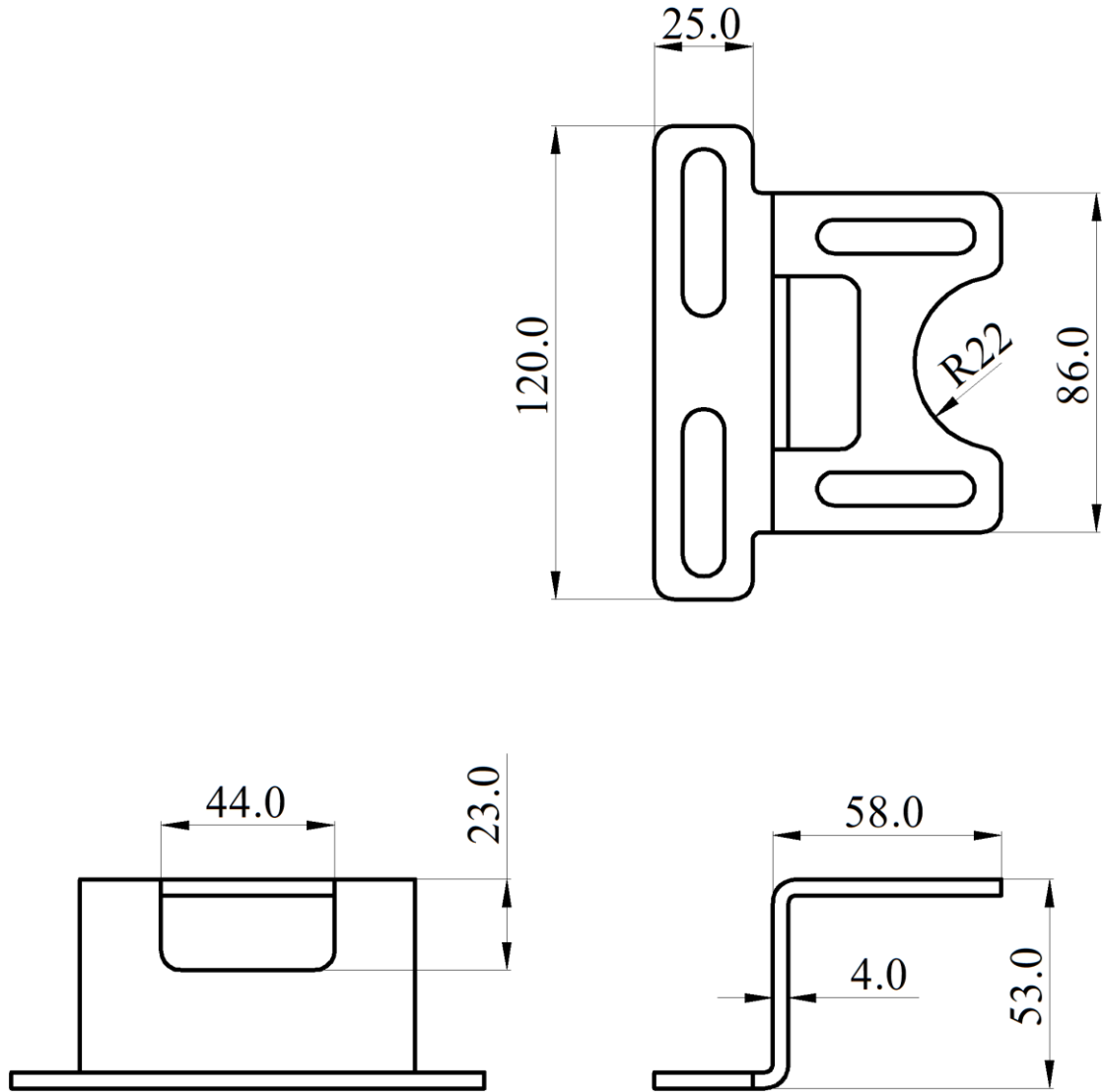


Figure 3. Normal linear mounting bracket

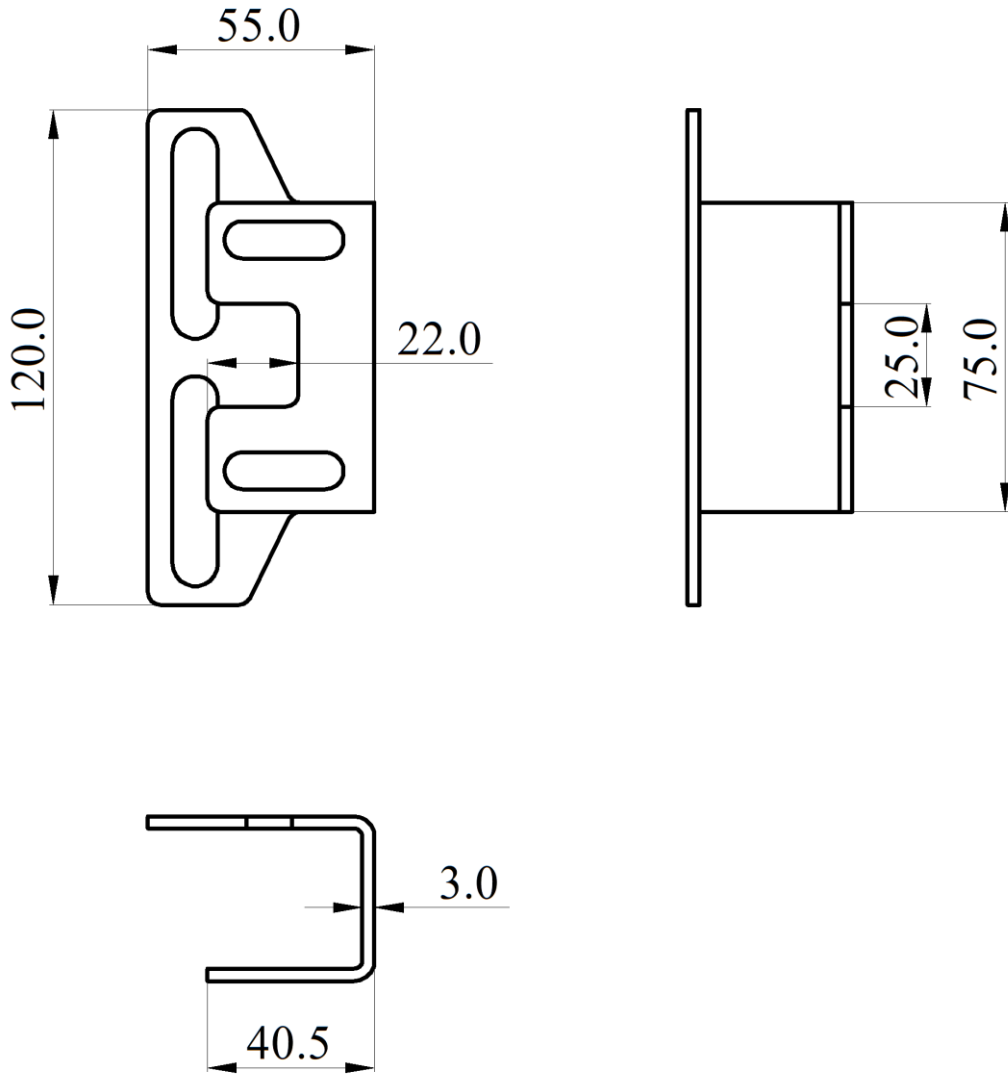


Figure 4. Remote linear mounting bracket

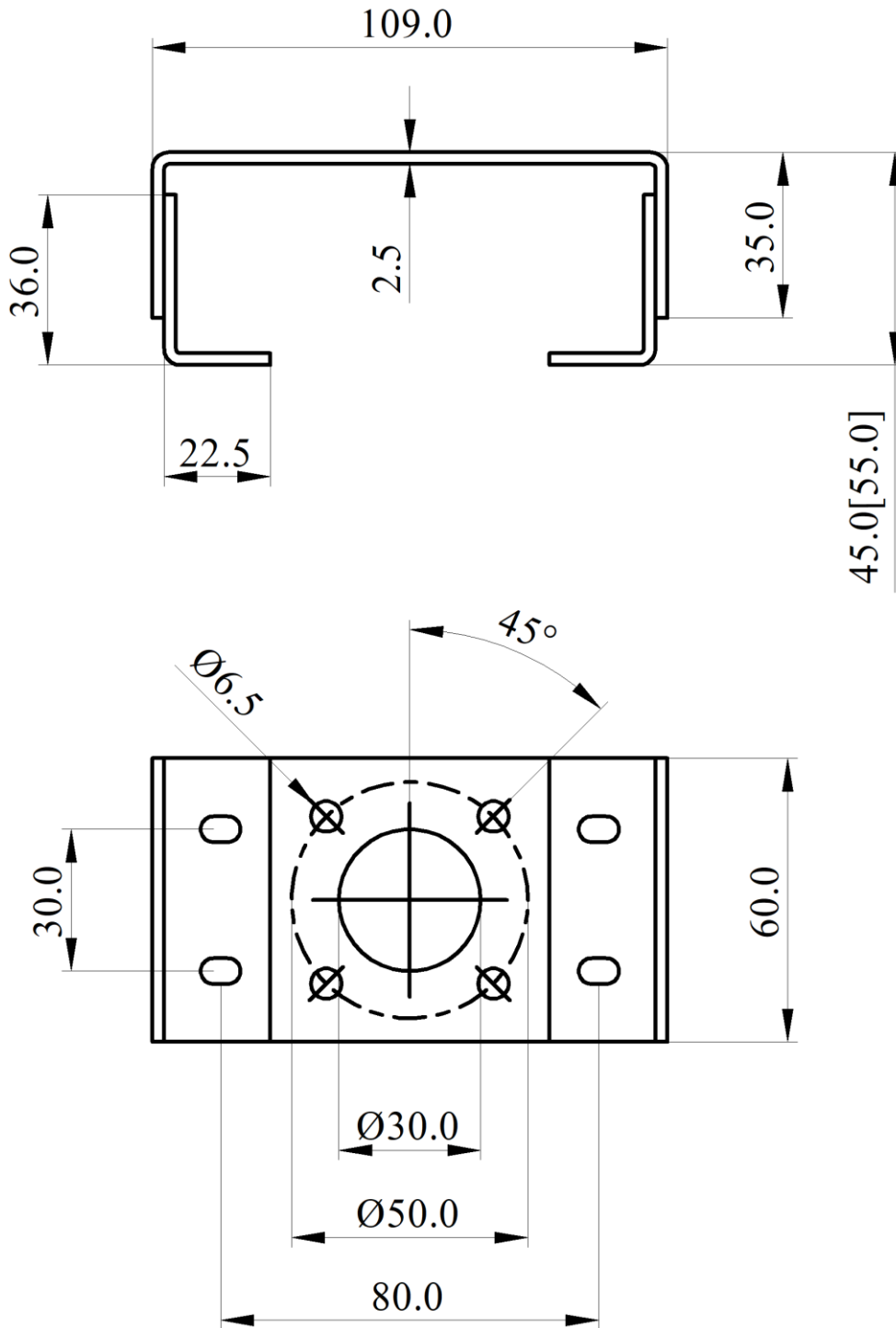


Figure 5. Rotary mounting bracket (Type A)

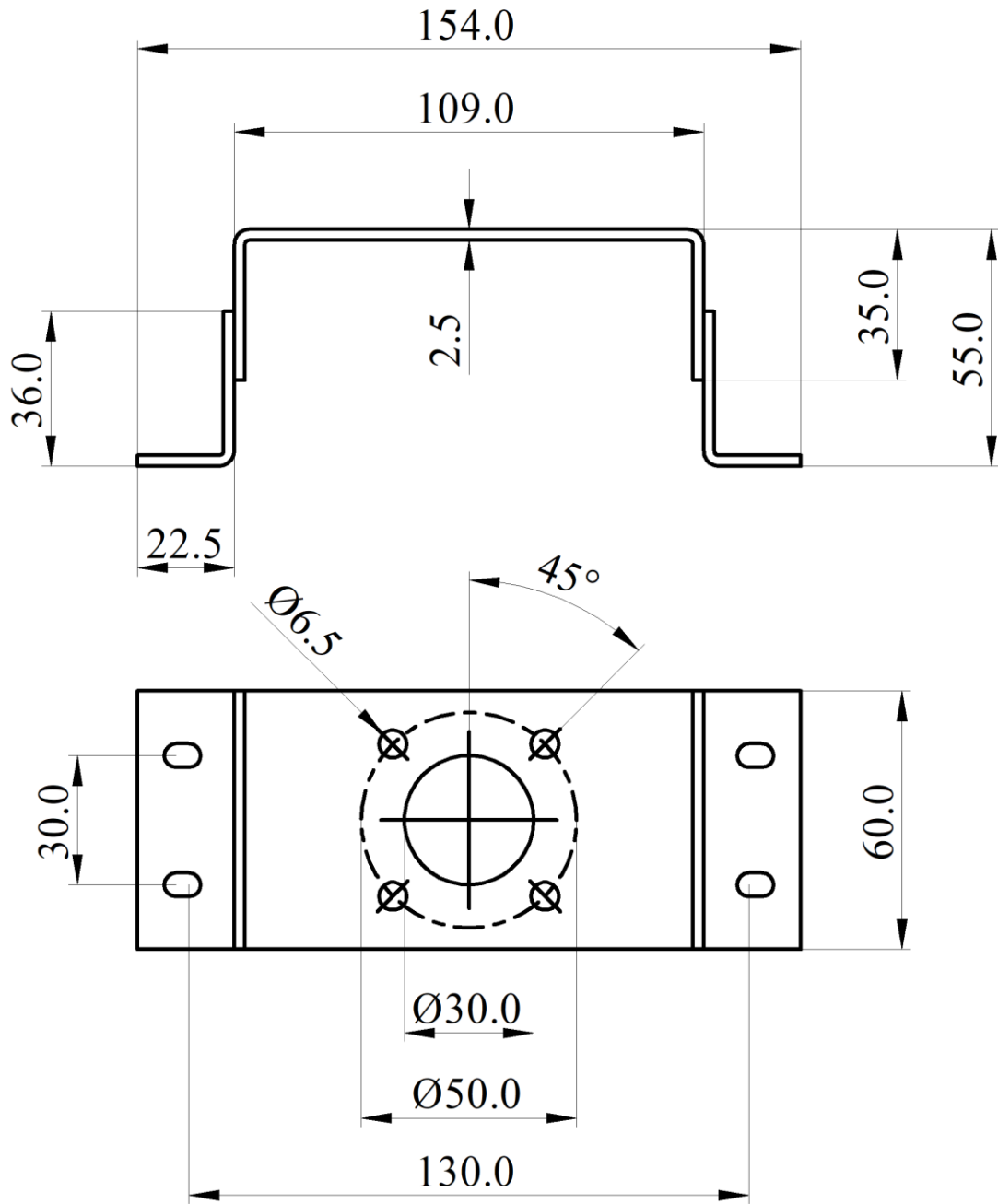


Figure 6. Rotary mounting bracket (Type B)

6.3. Dimension of linear stroke feedback lever

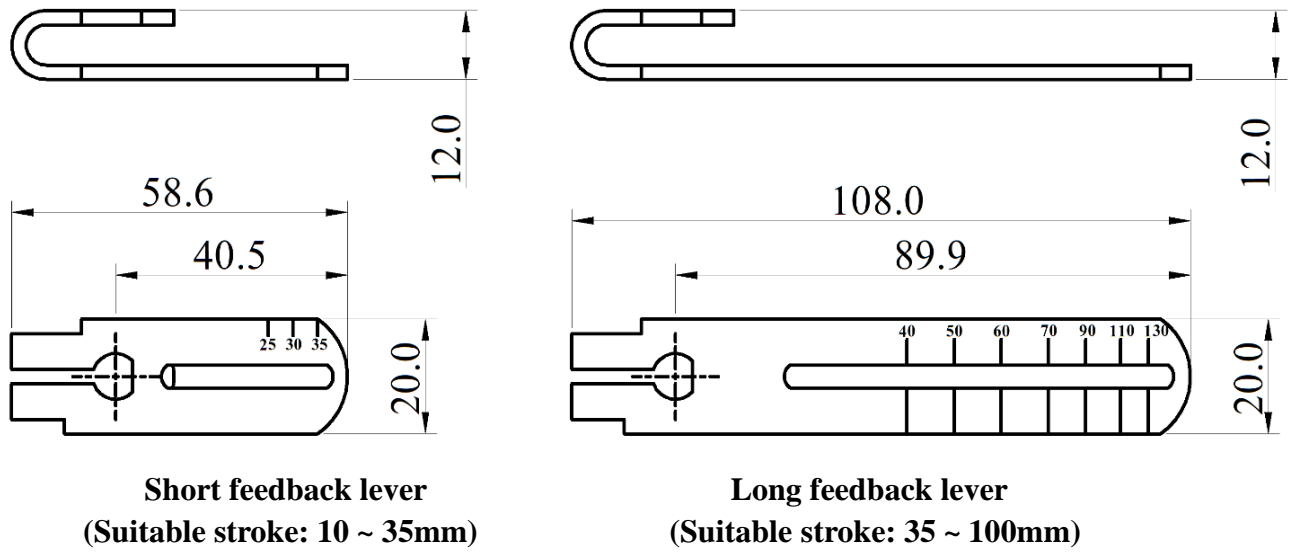


Figure 7. Dimension of linear stroke feedback lever

6.4. Sensor dimension for remote type

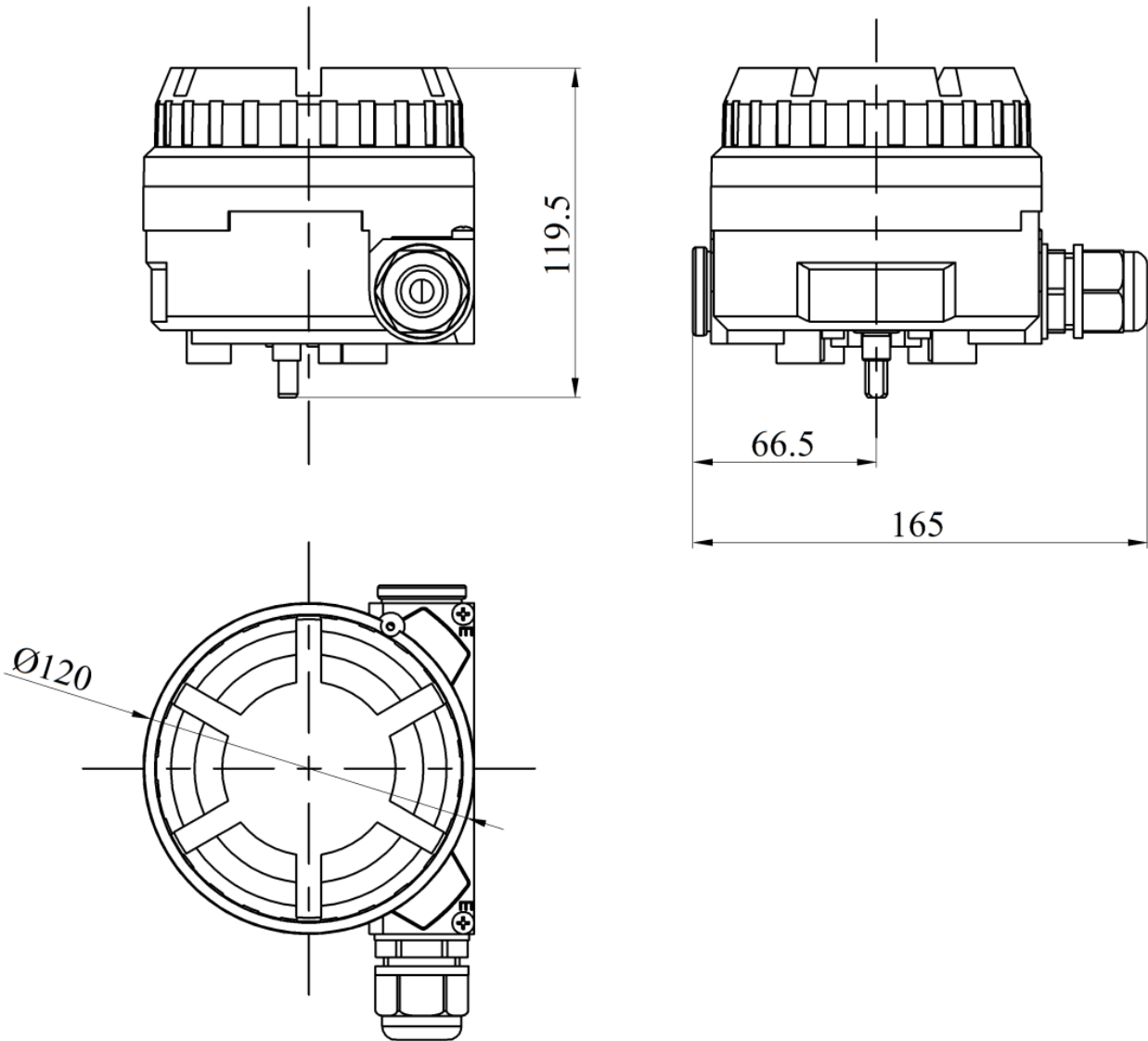


Figure 8. Sensor dimension for remote type

7. Installation

7.1. Linear stroke (normal type or remote type)

Linear actuator mounting components			
No.	Name	Amount	Note
①	U-shaped rod	1	Rotate the feedback lever in the working process
②	Clamping assembly	1	Mount U-shaped rod to actuator
③	M6 hexagon socket screw	2	M6×25
④	M6 spring washer	2	Prevent screw loosening
⑤	feedback lever	1	Mounted on the main stem of the positioner, with U-shaped rod
⑥	M6 hexagon socket bolt	1	M6×20, match with square nut
⑦	Linear stroke mounting bracket	1	Connect positioner and actuator
⑧	M8 hexagon head bolts	2	M8×10
⑨	M8 spring washer	2	Prevent bolts loosening
⑩	M8 flat washer	2	Protect contact surface

1. Confirm the initial position of the feedback axis of the positioner or the remote sensor

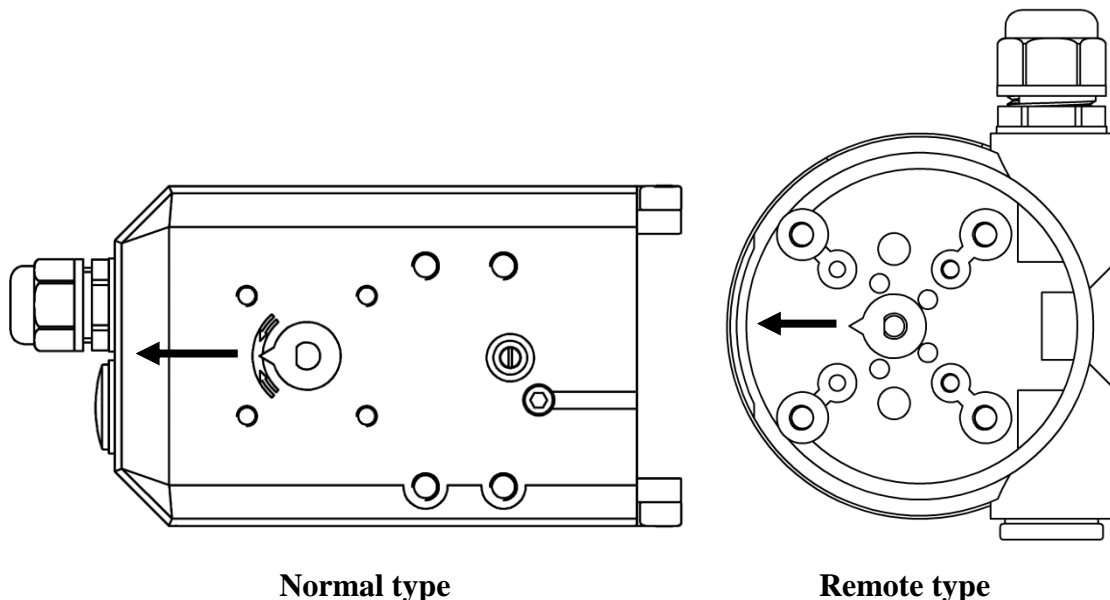


Figure 9. Initial position of the feedback axis

Rotate the feedback axis and point the pointer on the feedback axis in the direction of arrow A in Figure 9. The direction of arrow A is defined as the initial position. Power on the positioner, observe the percentage value of the sensor on the initial interface (**NOINI**), and confirm that the value is between 40-60%. If not, turn the feedback axis 360° and confirm again. After confirmation, power off the positioner.

2. Mount U-shaped rod to actuator

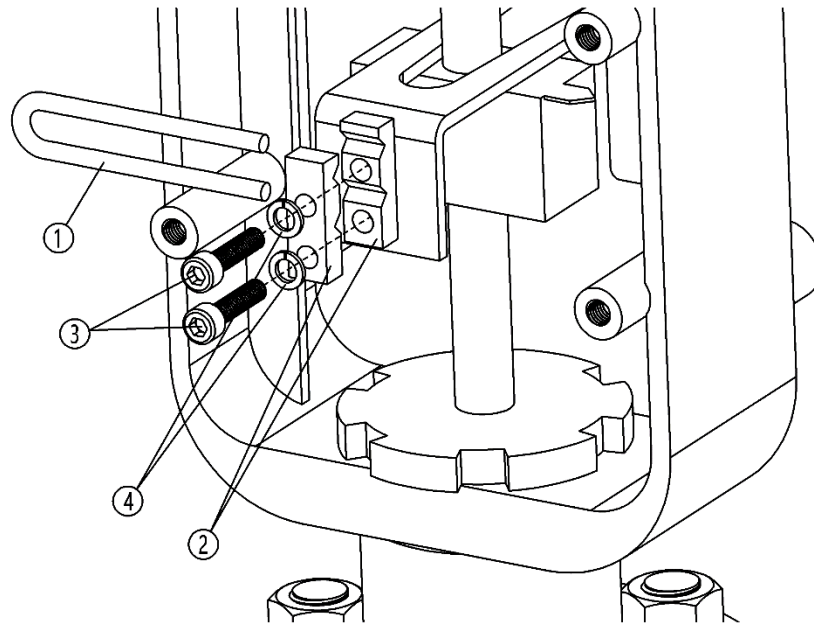


Figure 10. U-shaped rod installation

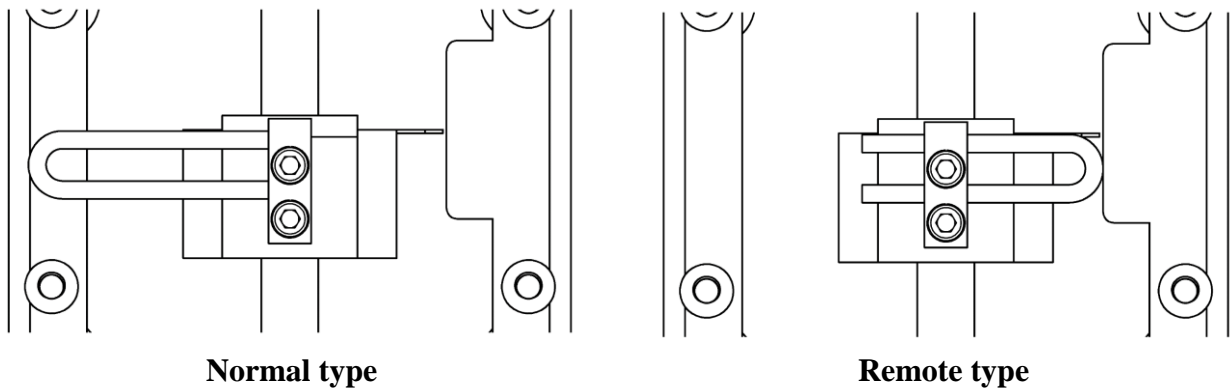


Figure 11. U-shaped rod direction

Fix U-shaped rod① and Clamping assembly② on the actuator center spindle with M6 hexagon socket screw③ and M6 spring washer④, and tighten screws with a hexagon socket wrench.

3. Mount the driving pin to feedback lever

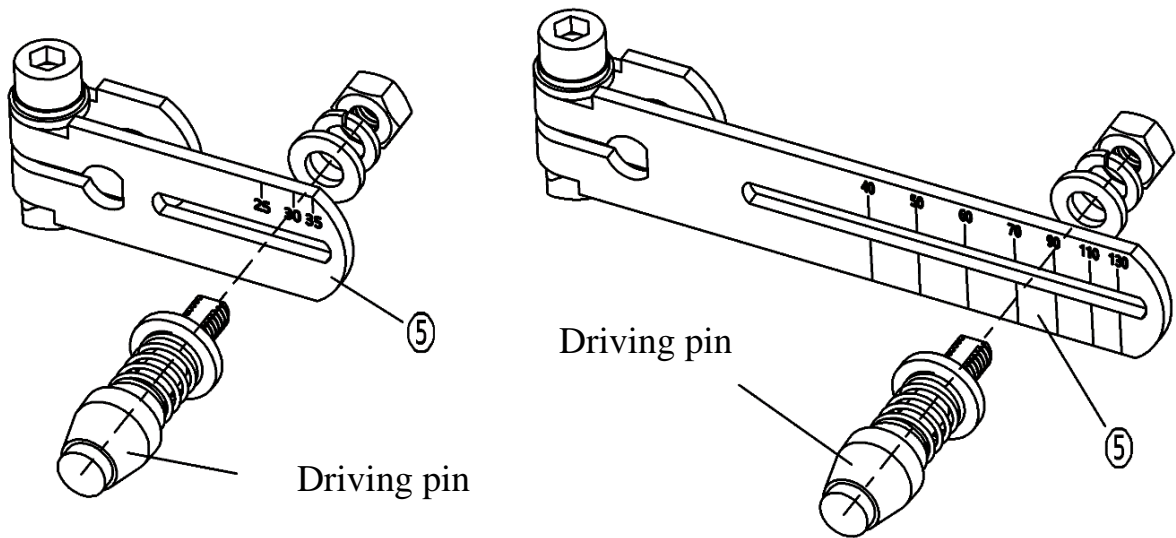


Figure 12. Driving pin installation

Select the feedback lever corresponding to the figure above according to valve actual stroke. The pin must be mounted at the corresponding stroke scaling value at the feedback lever, if it's not, the lever may be damaged when the valve is activated. For example, mounting driving pin at value 40 position for a valve with 100mm stroke, the feedback lever may be deformed when the valve is activated. If the valve stroke is out of the range of standard feedback lever, please consult the manufacturer.

4. Mount feedback lever and linear mounting bracket to the positioner or the remote sensor.

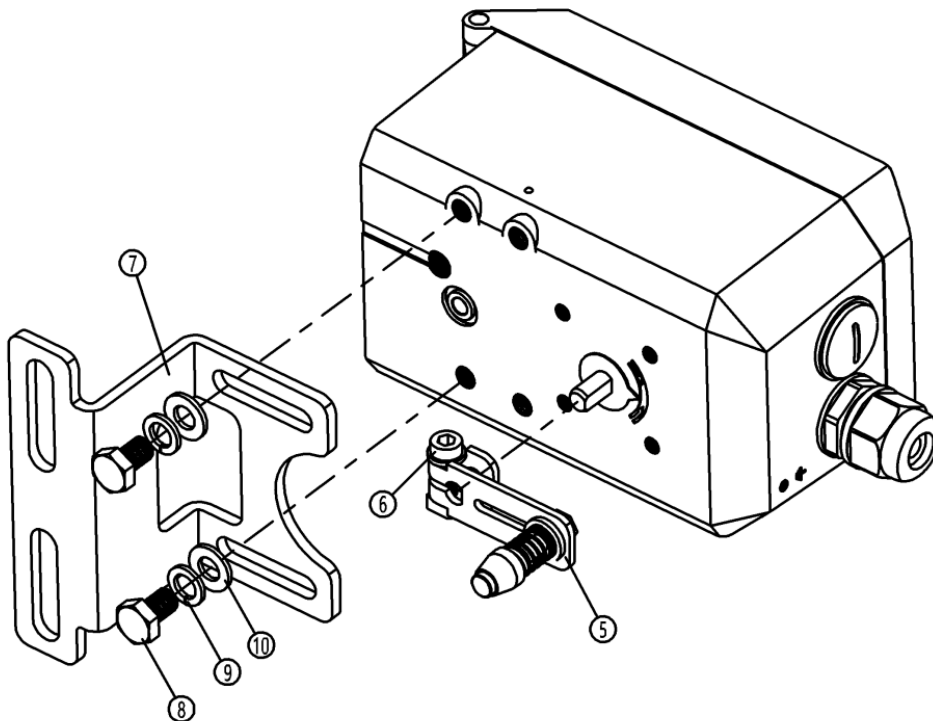


Figure 13. Feedback lever and mounting bracket installation (normal type)

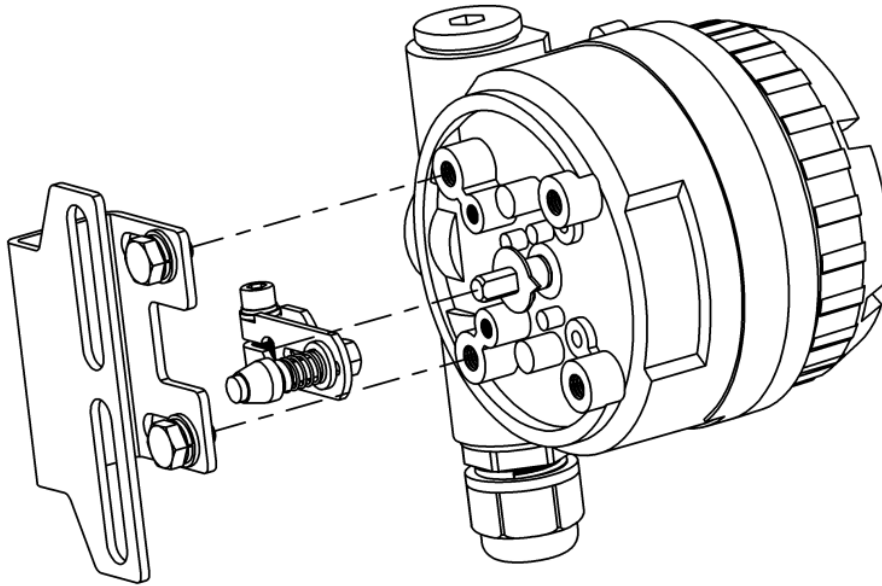


Figure 14. Feedback lever and mounting bracket installation (remote type)

- Mount the feedback lever⑤ to the feedback axis on the rear of the positioner or the remote sensor.
 - Check whether the NUMAR lever stroke is within the operational range regarding to the arrow mark.
 - Fix the hexagon socket bolt⑥ with hexagon socket wrench.
 - Pre-fasten the mounting bracket⑦ to the positioner or the remote sensor with hexagon head bolts⑧, spring washer⑨ and flat washer⑩.
5. Fix linear mounting bracket to the actuator.

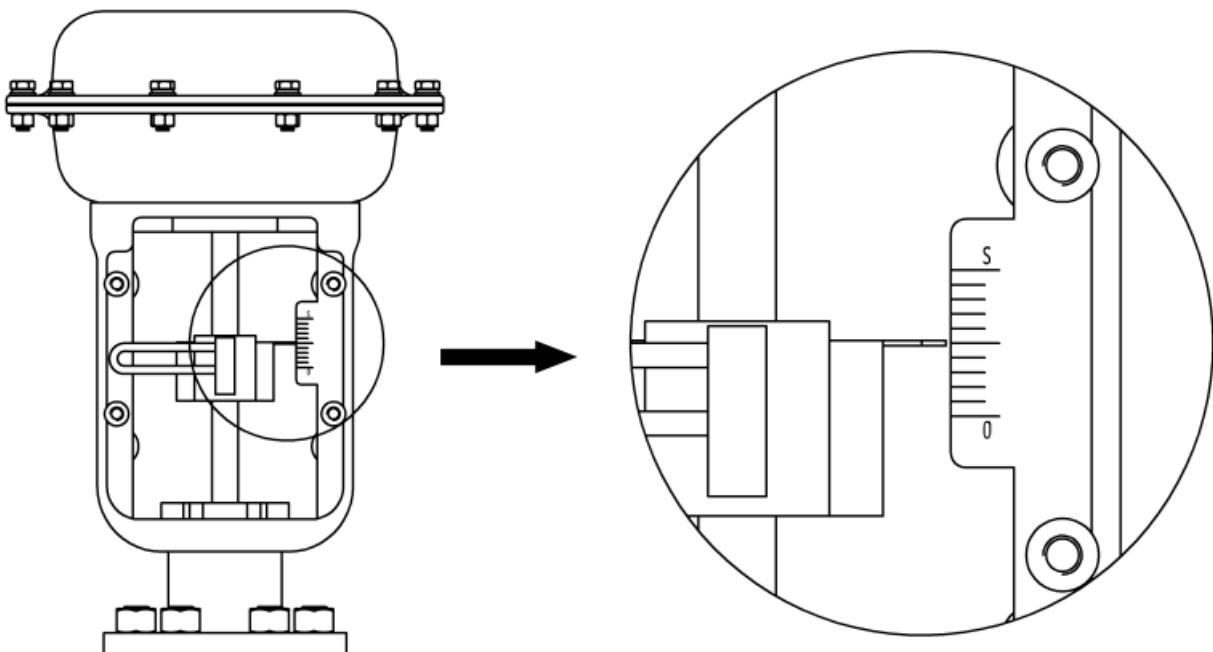


Figure 15. Valve mid-stroke point

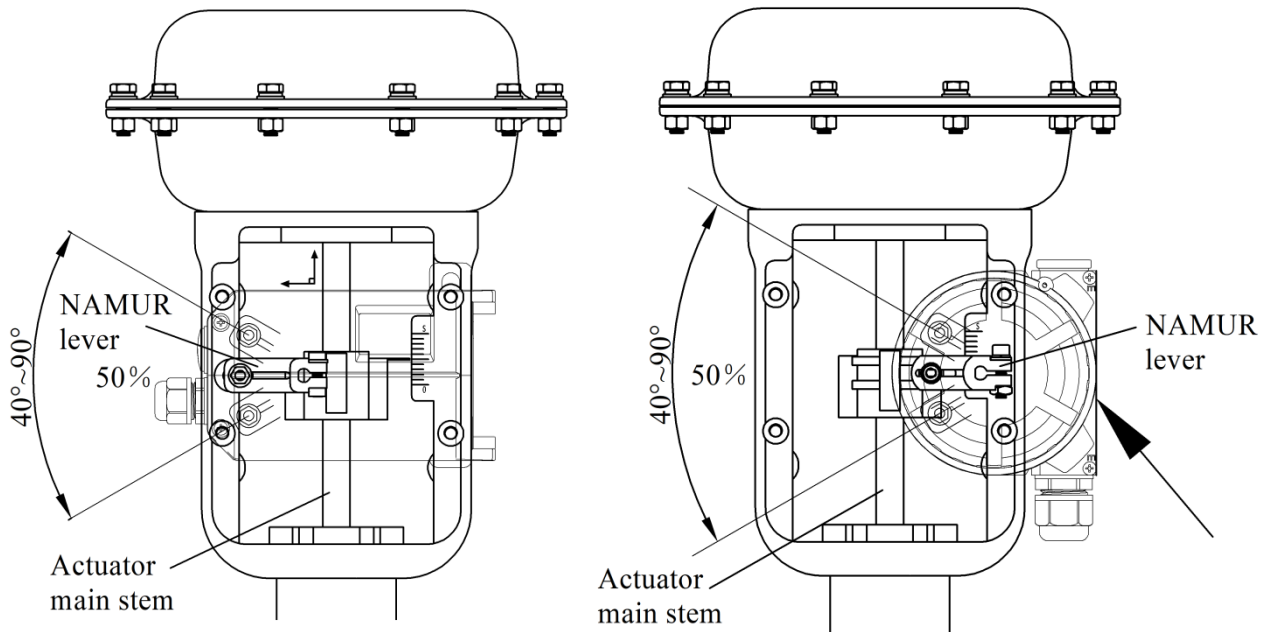


Figure 16. Installation with actuator

- Input air to the valve cylinder, adjust the valve position to the mid-stroke point according to the stroke ruler on the valve, as shown in Figure 15.
 - Hold the linear stroke mounting bracket⑦ against the actuator. Plug the head of feedback lever ⑤ into the U-shaped rod①. Make the valve main stem and feedback lever are at right angle. If it cannot be at right angle, install according to the actual situation.
 - Make sure that the whole rotary angle is in the range of 40°~90° when the valve main stem and feedback lever are at right angle. If it's not in the range, adjust the distance (Angle rotation radius) between the driving pin and the rotation shaft of the positioner or the remote sensor to make it meets the requirement.
 - For the positioner of normal linear type, make the upper plane of the positioner housing at a right angle to the main stem of the valve. If it cannot be at a right angle, it is need to calibrate the reference point of the feedback lever. For the positioner of remote linear type, make the plane indicated by the arrow (on the right side of Figure 16) on the sensor housing and the main stem of the valve are parallel to each other. If it cannot be parallel, it is need to calibrate the reference point of the feedback lever. For detailed introduction and operation of reference point calibration, see chapter 8.3.2.14. Otherwise it will affect the control accuracy. Finally, tighten the bracket with bolts.
6. Overall schematic diagram

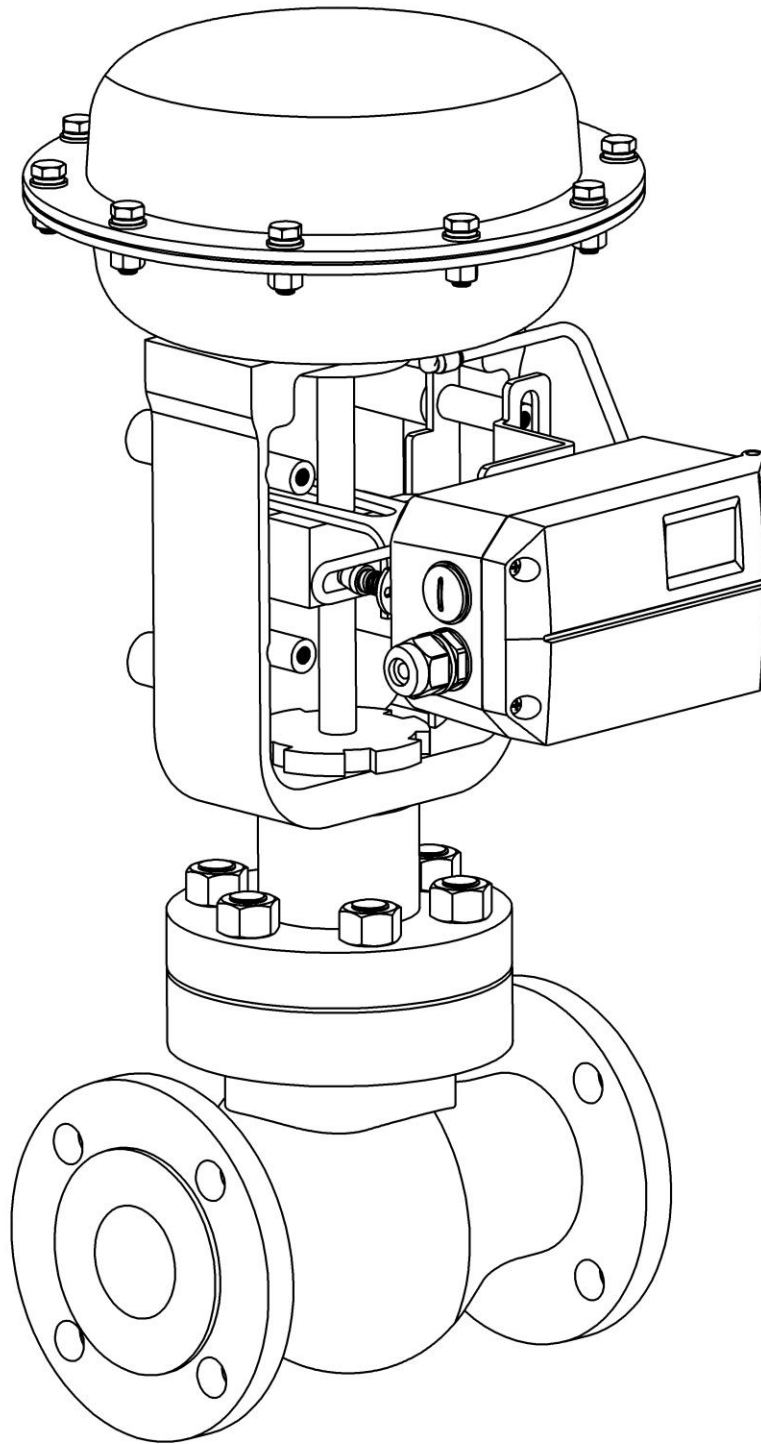


Figure 17. Linear stroke for normal type

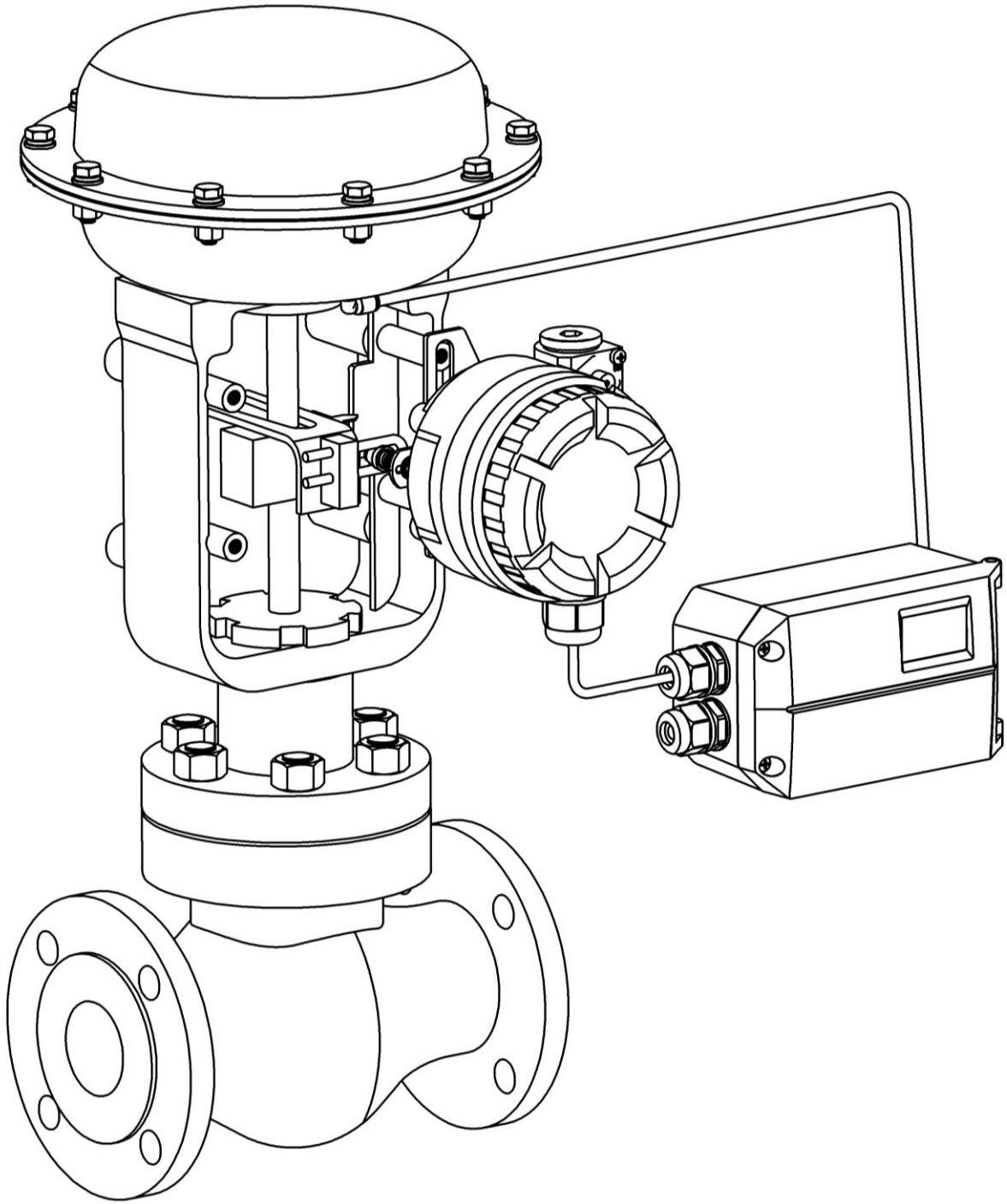


Figure 18. Linear stroke for remote type

7.2. Rotary stroke (normal type or remote type)

Rotary actuator mounting components			
No.	Name	Amount	Note
①	Adapter	1	Mounted on the positioner main stem.
②	Hexagon socket set screw	2	M4×8 , fix adapter to the positioner main stem.
③	Rotary stroke mounting bracket	1	Compatible for actuators in different specifications.
④	M6 flat washer	4	Protect contact surface
⑤	M6 spring washer	4	Prevent screw loosening
⑥	M6 hexagon socket screw	4	M6×10
⑦	M5 hexagon socket screw	4	M5×8
⑧	M5 spring washer	4	Prevent screw loosening
⑨	M5 flat washer	4	Protect contact surface

Note before installation: Please make the following preparations. In the installation steps, the first situation shown in Figure 19 is taken as an example. Figure 19 shows the slot direction and rotation direction of the actuator rotation axis at the initial position. ↓ indicates the position of the actuator pneumatic interface.

- Adjust the actuator rotation axis to the initial position. For single-acting actuators, exhaust the air from the actuator cylinder fully. For double-acting actuators, exhaust the air from one cylinder and fill the air into the other cylinder fully. Pay attention to the slot direction of the rotation axis at the initial position.
- Confirm the direction of rotation of the actuator axis. For single-acting actuators, fill air into the actuator cylinder at the initial position. For double-acting actuators, at the initial position, fill air into the cylinder which the air inside is fully exhausted, and exhaust air from the other cylinder which is filled with air. In this way, the direction of rotation of the rotating axis is judged.
- Rotate the pointer of the positioner feedback axis to the corresponding position shown in the following picture, and be sure to rotate the feedback axis within the range of the rotation mark.
- Place the adapter in the direction corresponding to the following picture.

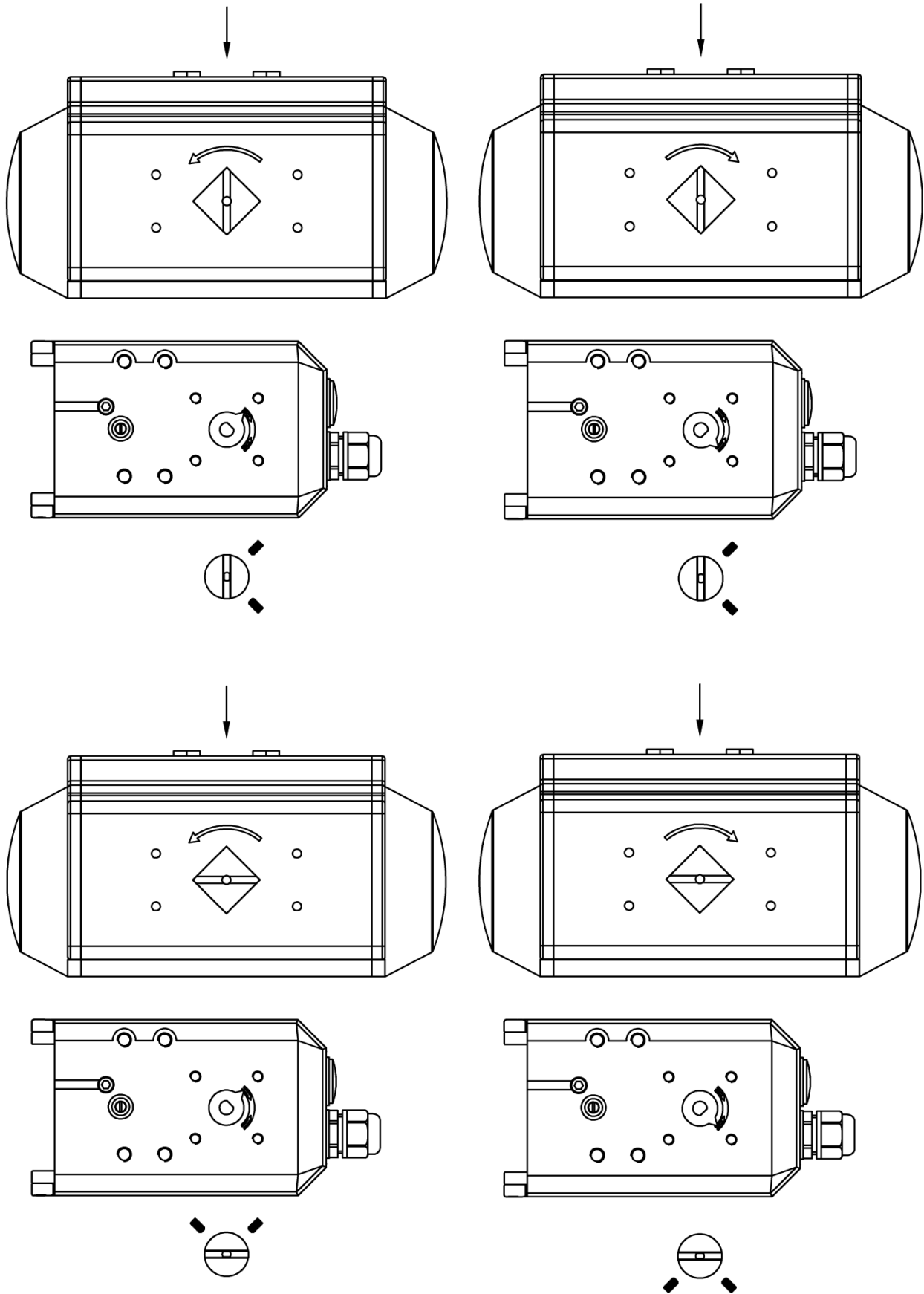


Figure 19. Four cases of installation matching

- Pay attention to the difference between the remote type and the normal type. For the installation of the remote type, please refer to the installation of the normal type.

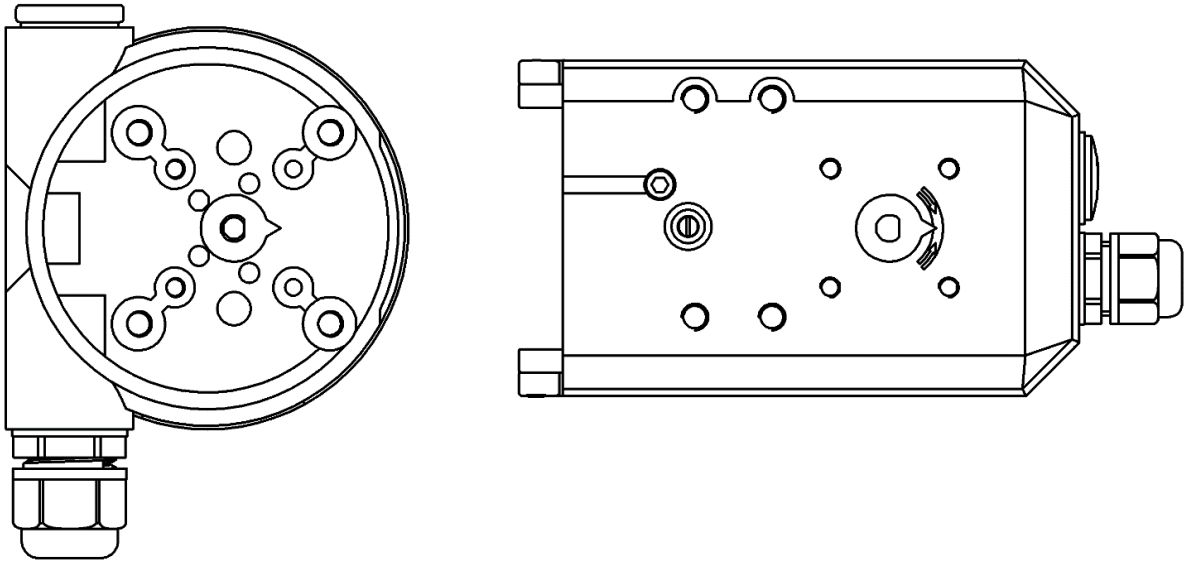


Figure 20. Comparison of the feedback axis pointers (remote type and normal type)

1. Confirm the initial position of the feedback axis of the positioner or the remote sensor (The operation is the same as the linear stroke installation in chapter 7.1).
2. Mount the adapter to the feedback axis of the positioner or the remote sensor.

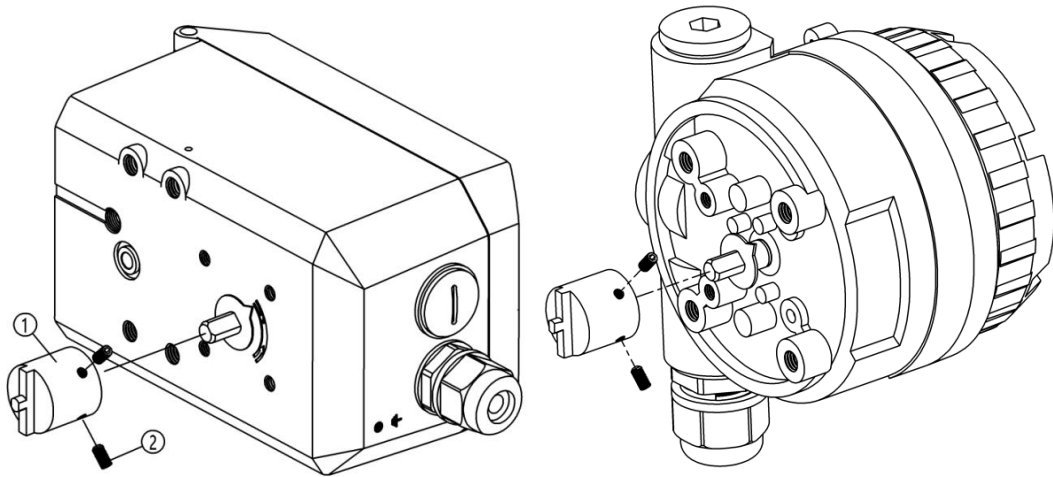


Figure 21. Adapter installation

Attach the adapter to the feedback axis in the direction in which it was prepared, and fix it with set screws②. Make sure one of the set screws is locked on the flat side of the feedback axis.

3. Mount rotary stroke mounting bracket to the bottom of the positioner.

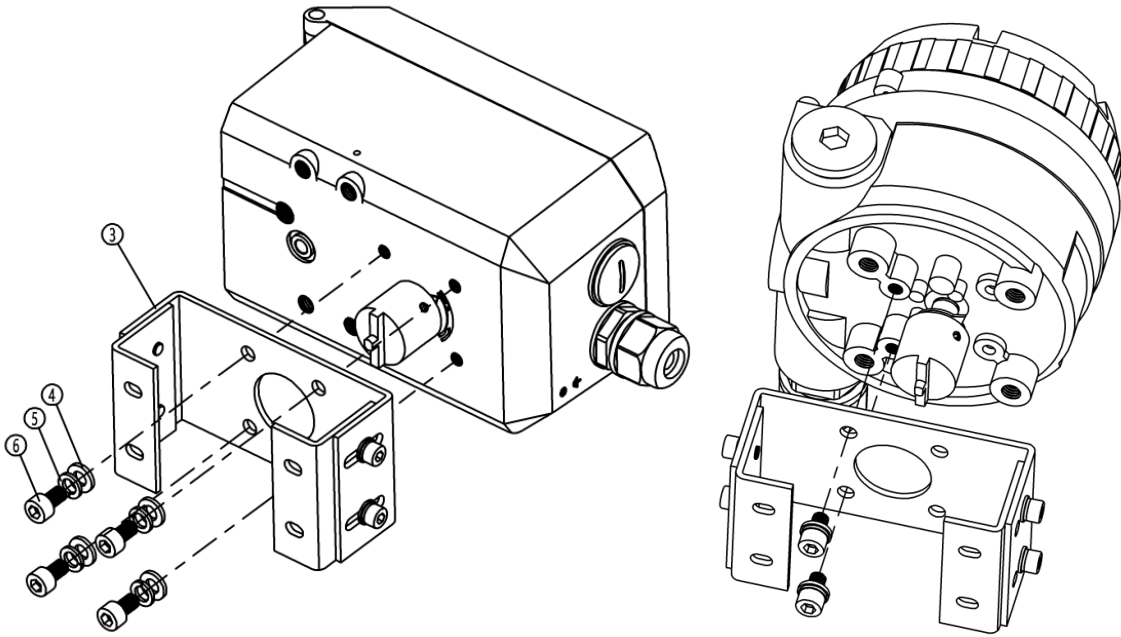


Figure 22. Rotary stroke mounting bracket installation

4. Mount the rotary stroke mounting bracket to the actuator.

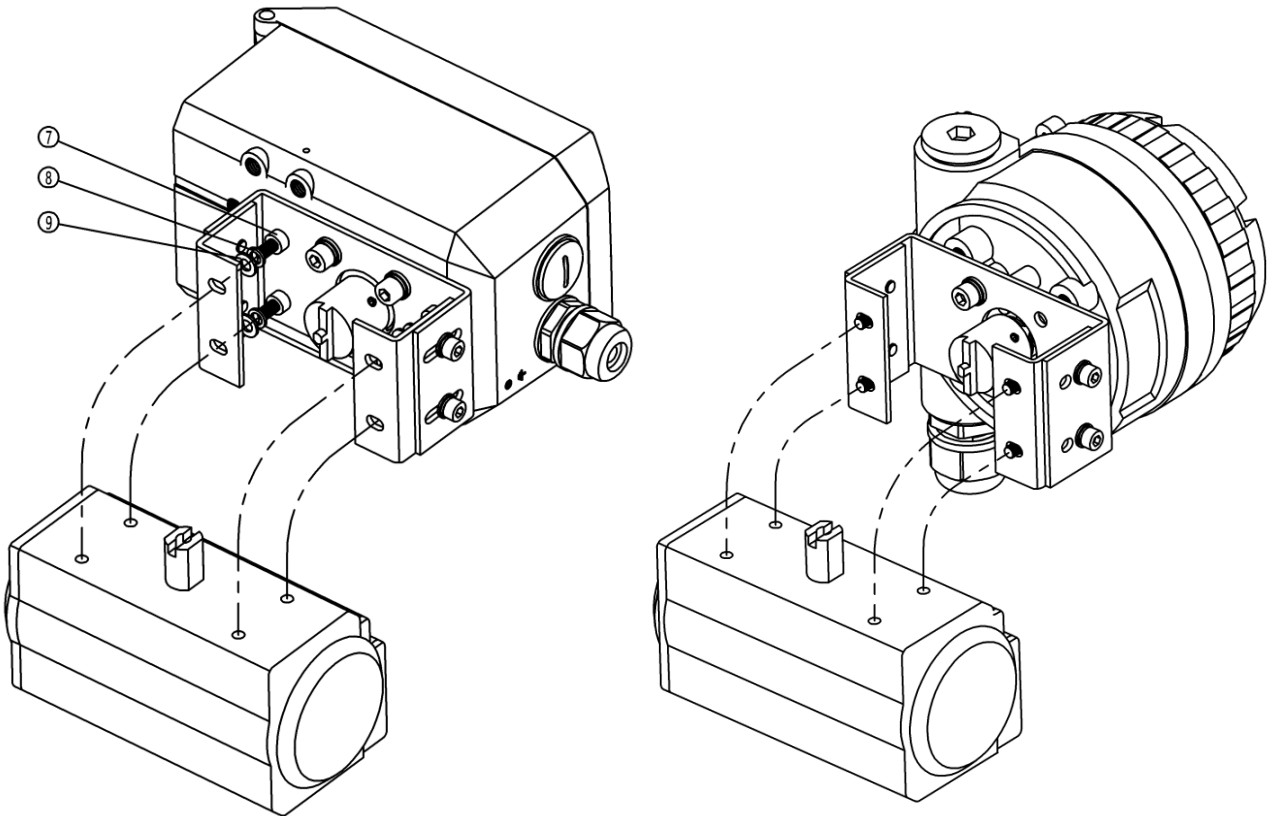


Figure 23. Installation with actuator

5. Overall schematic diagram

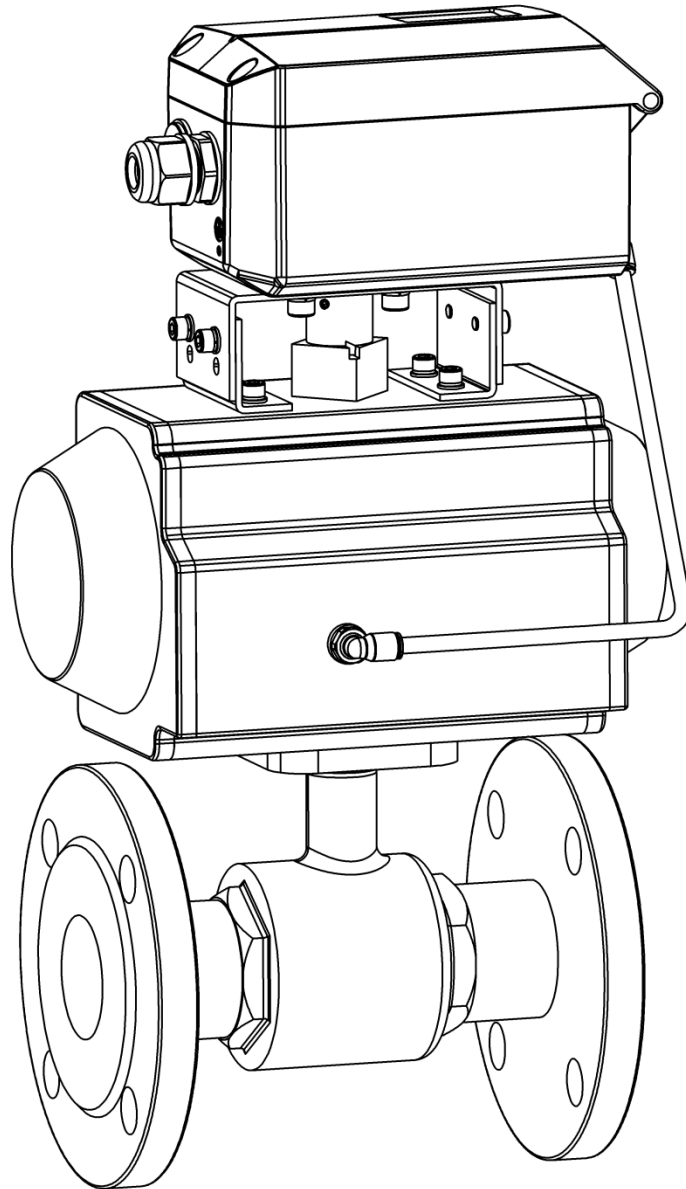


Figure 24. Rotary stroke for normal type

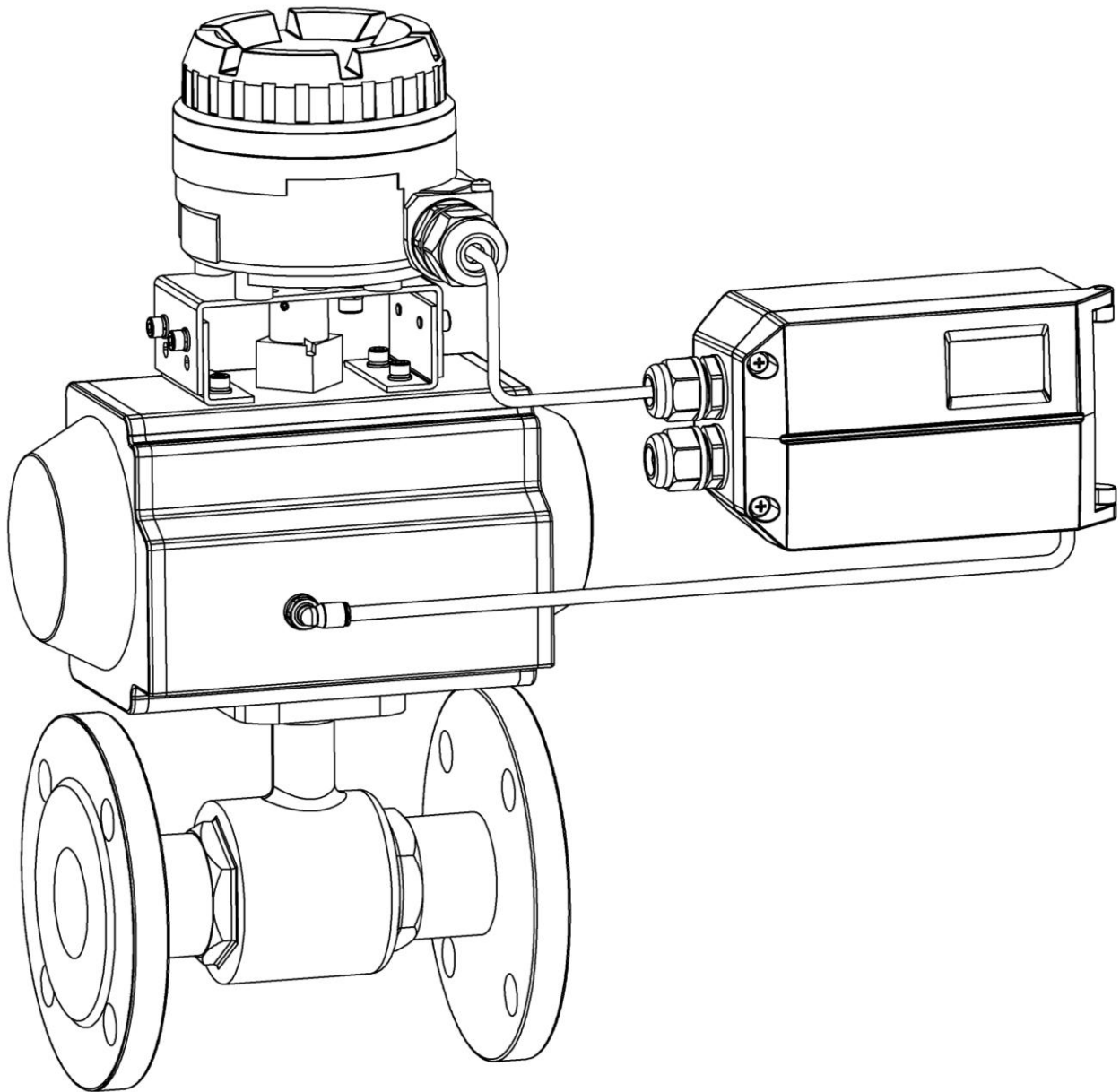


Figure 25. Rotary stroke for remote type

8. Operation







8.1. Interface description

User's operating interface includes one LCD screen and 4 buttons.

LCD display description

Position	Description
Top line	<ul style="list-style-type: none"> ● Display the percentage value of angle sensor in the initial interface (NOINI) or when running the initialization function. ● Display valve position percentage value in operating mode. ● Display parameter values in menu mode.
Bottom line	<ul style="list-style-type: none"> ● Display indication signs in uninitialized state. ● Display automatic or manual mode in operating mode. ● Display setpoint percentage value in operating mode. ● Display function options in menu mode. ● Display initialization step and error sign in initialization process.

Button operation description

Button	Description
	<ul style="list-style-type: none"> ● Enter the system menu. ● Switch automatic and manual mode in operating mode. ● Exit from the system menu to main interface ● Exit from submenu to previous menu.
	<ul style="list-style-type: none"> ● Open or close valve in the initial interface (NOINI). ● Decrease the valve position value in manual mode. If press and hold this button first, then press and hold  button, the valve position value will be reduced quickly. ● Select function options or parameters down and decrease parameter values in menu mode.
	<ul style="list-style-type: none"> ● Open or close valve in the initial interface (NOINI). ● Increase the valve position value in manual mode. If press and hold this button first, then press and hold  button, the valve position value will be increased quickly. ● Select function options or parameters up and increase parameter values in menu mode.
	<ul style="list-style-type: none"> ● Enter submenu, enable or confirm parameter modification in menu mode. ● Run initialization or reset to factory settings or calibrate the reference point of the linear travel feedback lever. ● Run initialization in initial interface (NOINI) or in operating mode.

8.2. Display and operation of main interface

Positioner is in the uninitialized state before initialization. When LCD displays the sign **NOINI**, interface displays percentage value of sensor in the top line. As shown in Figure 26.

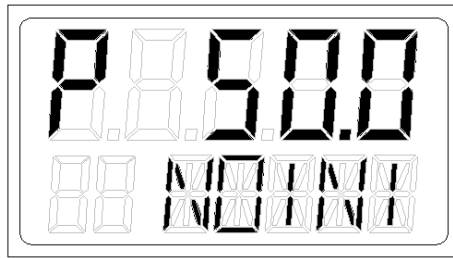


Figure 26. Uninitialized state interface

In this state, pressing ∇/\blacktriangle buttons can open and close valve. Open and close valve fully, and observe the percentage value of sensor displayed on the interface. Ensure that within the entire valve stroke range, the minimum sensor percentage value $\geq 5\%$, and the maximum sensor percentage value $\leq 95\%$. Otherwise, the installation needs to be readjusted. For linear stroke, the position of the feedback lever drive pin or installation position needs to be adjusted. For rotary stroke, the installation position needs to be adjusted. In addition, for linear stroke, the minimum and maximum percentage difference of sensor rotation displayed on the interface is required to be greater than 30%.

If you want to take a shortcut of running automatic initialization (INITA), press and hold \odot button for approx. 3s to run it in the initial interface (NOINI) or in the operating mode. In the initialization process, pressing \curvearrowright button will exit. After exiting, if the initialization is completed before, system enters manual mode interface. Otherwise, system enters initial interface (NOINI). After the initialization is completed, press \curvearrowright button to exit. After exiting, the system enters the manual mode interface.

Operating mode includes automatic mode and manual mode.

In automatic mode, system adjusts the valve position automatically by collecting the external 4-20mA input signal.

In manual mode, valve position can be adjusted by pressing ∇/\blacktriangle buttons manually.

In the main interface, the top line shows the valve position percentage value, and the bottom line shows the setpoint percentage value. The last digit of the setpoint percentage value is one decimal place. Sign **A** means automatic mode and sign **M** means manual mode. They can be switched by pressing \curvearrowright button. If the release time after pressing the \curvearrowright button is less than the operation time of entering the menu, operating mode can be switched. Otherwise, it will enter the menu. As shown in Figure 27.

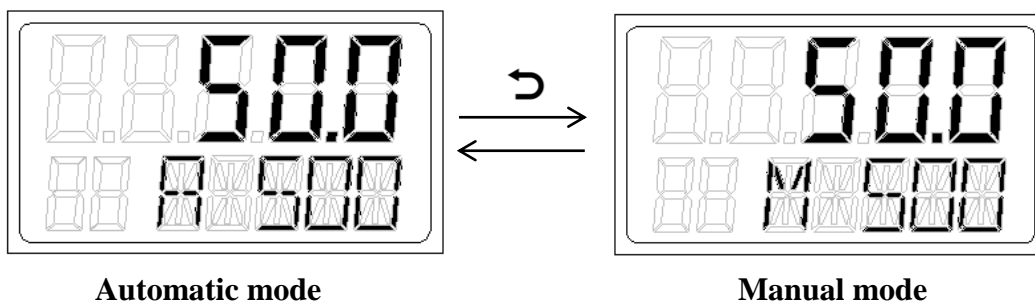




Figure 27. System operating mode interface

When the 4-20mA input signal $\leq 3.5\text{mA}$, the system considers the signal to be wrong. The **ERR** sign is displayed at the position of the set-point percentage value on the bottom line of the main interface. When the error signal is detected in the automatic mode, system will keep the valve

position.

8.3. Menu and functions

8.3.1. Display and operation of menu

Press and hold  button for approx. 3s to enter the menu. The menu interface will display as shown in Figure 28. Press  button, it will exit from menu interface to manual mode interface.

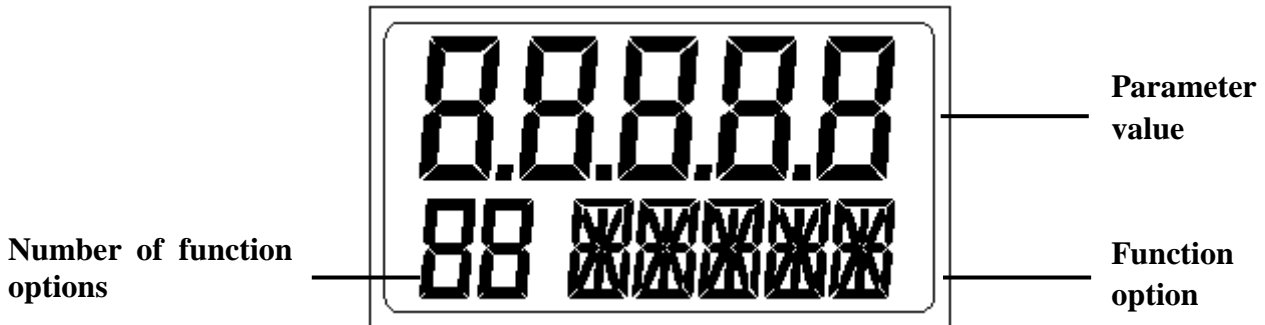






Figure 28. Button operating description of menu interface

8.3.2. Functions description and operation


8.3.2.1. TYPE

TYPE is for setting the actuator type, linear stroke (Lin) or rotary stroke (Turn). The option is invalid for separate type.

Select this function in the menu interface, press  button to start setting parameters, and the parameter will flash. Press   buttons to set parameter and press  button to confirm.

8.3.2.2. INITA

The function is auto initialization. It will automatically detect action direction, actual physical stroke of valve and control parameters.








Select this function in the menu interface, press and hold  button for approx. 3s to run, a scroll sign will appear in the lower left corner of LCD. Top line shows the percentage value of sensor and the step is showed in the bottom line. Sign **FINSH** will display on LCD after the auto initialization is completed.

For some reasons, the system will display an error message in the function option line during the auto initialization process and the auto initialization will be interrupted. Descriptions of error messages and solutions are showed in chapter 8.3.3.

8.3.2.3. INITM

The function is manual initialization. It is suitable for the user to confirm the valve stroke manually.

The function requires the user to calibrate the valve stroke manually. Then it will automatically detect action direction and control parameters. The operation flow is as follows:

- 1) Select this function in the menu interface, press and hold  button for approx. 3s to run, a scroll sign will appear in the lower left corner of LCD. Top line shows the percentage value of sensor and bottom line shows **END 1**.
- 2) When LCD displays **END 1**, press  buttons to let the valve position move to the endpoint 1 of the manual calibrating stroke, and press  button to confirm, then LCD will display **END 2**. Next, press  buttons again to let the valve position move to the endpoint 2 of the manual calibrating stroke, and press  button to confirm.
- 3) If there isn't error message after confirmation of **END 2**, the system will run the step 1 of initialization automatically and skip step 2 for stroke detection.







LCD will display **FINSH** when manual initialization is completed.

For some reasons, the system will display an error message in the function option line during the manual initialization process and the manual initialization will be interrupted. Descriptions of error messages and solutions are showed in chapter 8.3.3.

8.3.2.4. CAL

CAL is for calibrating 4-20mA input signal. When there is a big deviation between the set point value and the output value of the signal source, it can be calibrated by this function.

Sub-function options **4mA** and **20mA** are used for calibrating minimum and maximum value of 4-20mA input signal separately.

Select this function in the menu interface, press  button to enter sub-function selection operation, and press  buttons to select **4mA** or **20mA**, press  button to start parameter setting, AD value of actual input signal flashes on LCD (Quantify the set signal numerically, ranging from 0 to 4095). For option **4mA**, set the front-end input signal to 4mA signal; for option **20mA**, set the front-end input signal to 20mA signal. For example, when the front-end input signal is 4mA, value 650 will flash on LCD. After the AD value on LCD is stable, press  button to confirm it. The system will record current AD value (650) and it will be displayed on LCD. When the front-end input signal is 20mA, value 3270 will flash on LCD. After the AD value on LCD is stable, press  button to confirm it. The system will record current AD value (3270) and it will be displayed on LCD. The calibration of the 4-20mA input signal is completed after the operation of option **4 mA** and option **20 mA**.

For example, if 4-20mA signal is set as 50%(12mA) in the field, while the actual signal value collected by positioner is 52% (12.32mA), it indicates that there is a deviation between the input signal and the signal actually collected by positioner. In this case, calibrate the input signal collected by the positioner by operating as above guidance to make it correspond to 4-20mA signal of the front-end of the system.

8.3.2.5. SDIR

SDIR function set the corresponding relationship between 4-20mA set-point signal and set-point

value.

Select this function in the menu interface, press  button to start setting, and the parameter will flash. Press   buttons to set parameter and press  button to confirm.

Options for setting parameter

Option	Description
riSE	4 mA → 0% , 20 mA → 100%.
FALL	4 mA → 100% , 20 mA → 0%.

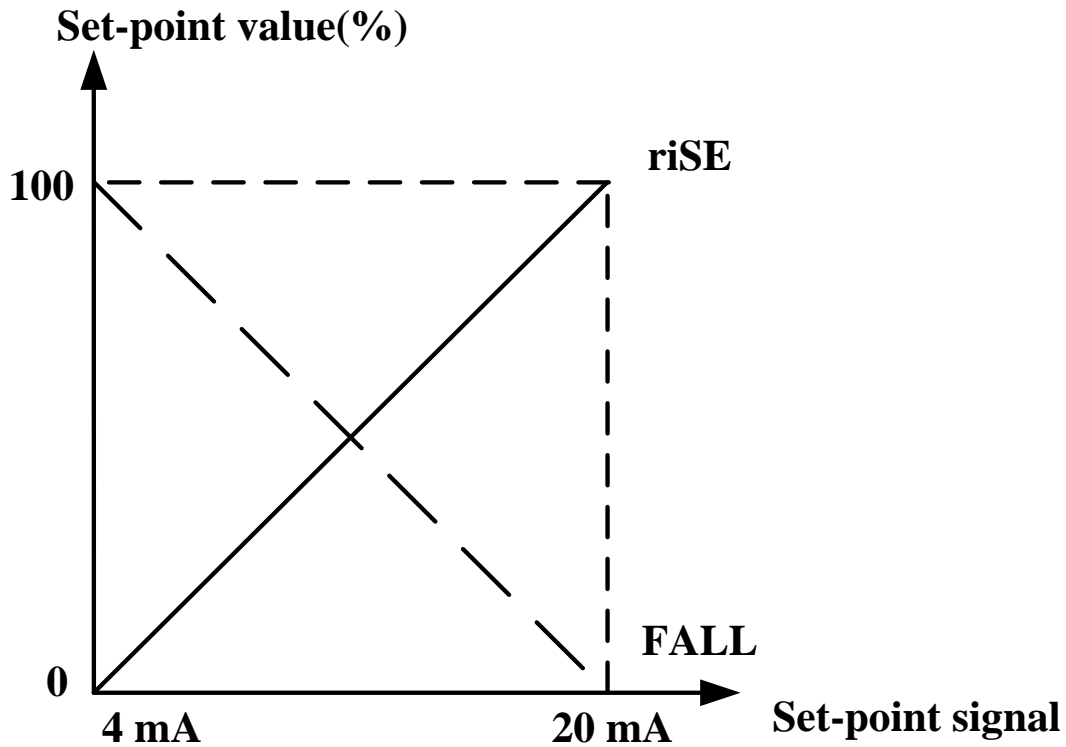


Figure 29. SDIR

8.3.2.6. CHAR

The characteristic curve is the relationship between set-point value and valve stroke.

In the actual control system, it is usually required to make the controlled variable have specific control characteristics (such as linearity). The user can choose and set the corresponding characteristic curve to achieve the control requirements.

The function is to determine the relationship between position set-point value and valve stroke.

Select this function in the menu interface, press  button to start setting, and the parameter will flash. Press   buttons to set parameter and press  button to confirm.

Option for CHAR

Option	Description
Lin	1:1 linear transfer relationship between position set-point value and valve stroke.

1-25	1:25 equal percentage transfer relationship between position set-point value and valve stroke.
1-33	1:33 equal percentage transfer relationship between position set-point value and valve stroke.
1-50	1:50 equal percentage transfer relationship between position set-point value and valve stroke.
n1-25	1:25 inverse equal percentage transfer relationship between position set-point value and valve stroke.
n1-33	1:33 inverse equal percentage transfer relationship between position set-point value and valve stroke.
n1-50	1:50 inverse equal percentage transfer relationship between position set-point value and valve stroke.
FrEE	Freely programmable transfer relationship between position set-point value and valve stroke for user. The position set-point value scale ranging from 0-100% is divided uniformly into 21 nodes. A freely programmable valve stroke ranging from 0-100% is assigned to each node. User can set value by selecting option FR 0 , FR 5 , ..., FR 100 .

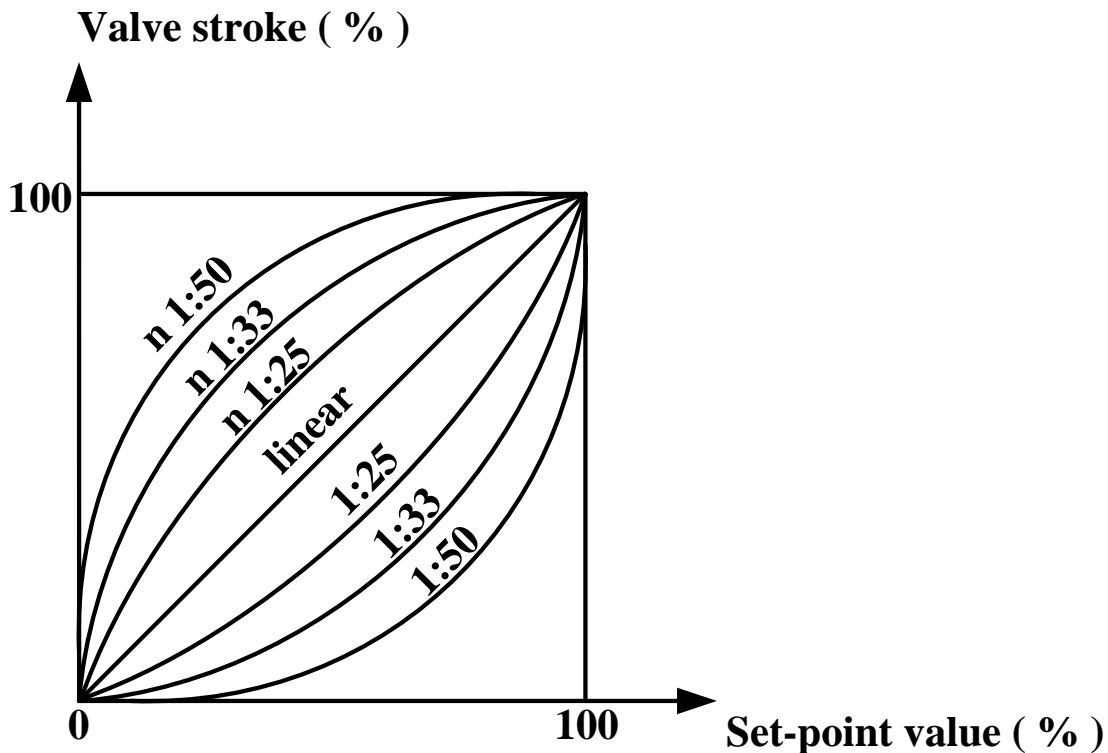


Figure 30. CHAR

8.3.2.7. FREE

Set value of **FrEE** characteristic curve in **CHAR** function option.

Sub-function options of **FREE** are **FR 0**, **FR 5**, ... , **FR 100**, 21 set points in total.

Select this function in the menu interface, press button to enter sub-function option, and select set point by pressing buttons, then press button to start setting parameter, and the parameter will flash. Press buttons to set parameter, it can be modified quickly by pressing or button continuously, finally press button to confirm.

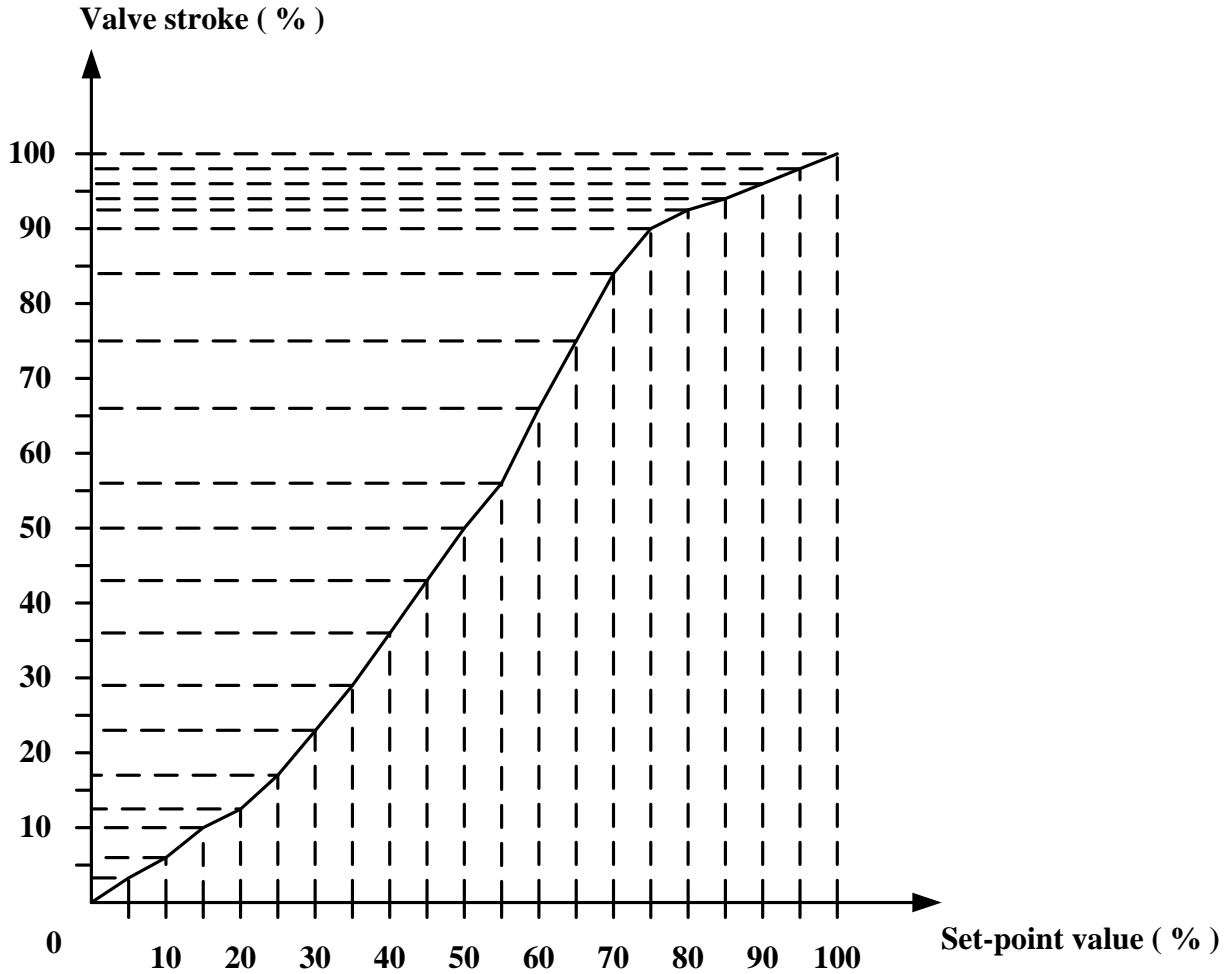


Figure 31. FREE

8.3.2.8. DB

Set Dead band zone of positioner.

The system does not adjust the valve stroke when the gap between the stroke value and the position set-point value is not bigger than the dead band value.

For example, positioner will not do adjustment if the actual valve position is not in the range of $50 \pm 1\%$ when the position set-point value is 50% and dead band value is 1%. If it's not in the range of $50 \pm 1\%$, the piezoelectric module will be driven to adjust valve position until it's in the range of $50 \pm 1\%$.

It's recommended to increase the dead band value if the valve position oscillates. The smaller the dead band sets, the higher control accuracy gets.

Select this function in the menu interface, press \odot button to start setting, and the parameter will flash. Press ∇/\blacktriangle buttons to set parameter, it can be modified quickly by pressing ∇ or \blacktriangle button continuously, finally press \odot button to confirm.

8.3.2.9. LIM

This function limits the automatic adjustment range in the whole valve physical stroke.

The **LIM** sub-function options **L MIN** and **L MAX** of set the minimum and maximum limits of the stroke respectively.

Select this function in the menu interface, press \odot button to enter sub-function option, press ∇/\blacktriangle buttons to select option **L MIN** or **L MAX**, press \odot button to start setting, and the parameter will flash. Press ∇/\blacktriangle buttons to set parameter, it can be modified quickly by pressing ∇ or \blacktriangle button continuously, finally press \odot button to confirm.

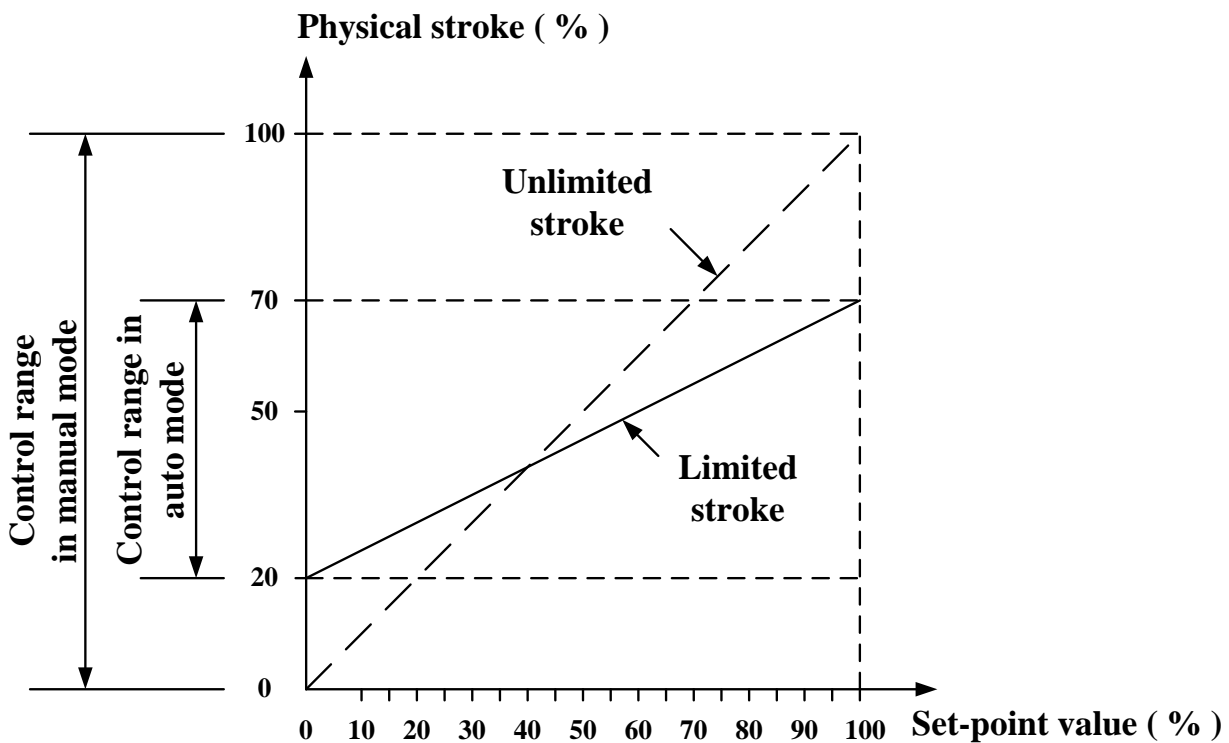


Figure 32. LIM

8.3.2.10. YDIR

This function is used to set the direction of the LCD position display and position feedback signal.

Parameter **riSE** means uptrend , **FALL** means downtrend. If the parameter is **riSE**, the position display on LCD and the value of the position feedback signal correspond to the stroke detected by

the positioner; if the two are to be reversed, this parameter can be set to **FALL**.

Select this function in the menu interface, press \odot button to start setting, and the parameter will flash. Press $\blacktriangledown/\blacktriangle$ buttons to set parameter and press \odot button to confirm.

8.3.2.11.CUT

This function is used for the positioner to fully close or open the valve in automatic mode. When the function is enabled, sign **CU** displays in the left bottom in main interface.

The **CUT** sub-function options **C MIN** and **C MAX** respectively set the minimum and maximum values.

Select this function in the menu interface, press \odot button to enter sub-function option, press $\blacktriangledown/\blacktriangle$ buttons to select option **C MIN** or **C MAX**, press \odot button to start setting, and the parameter will flash. Press $\blacktriangledown/\blacktriangle$ buttons to set parameter, it can be modified quickly by pressing \blacktriangledown or \blacktriangle button continuously, finally press \odot button to confirm.

When **C MIN** value is 0, full closing is disabled. When **C MAX** value is 100, full opening is disabled.

When valve is in the positioning state, if the set point value \leq **C MIN**, the valve will be fully close; if set point value \geq **C MAX**, it will be fully open.

When the set point value $>$ **C MIN** + 1%, valve will disengage from the full closing state.

When the set point value $<$ **C MAX** - 1%, valve will disengage from the full opening state.

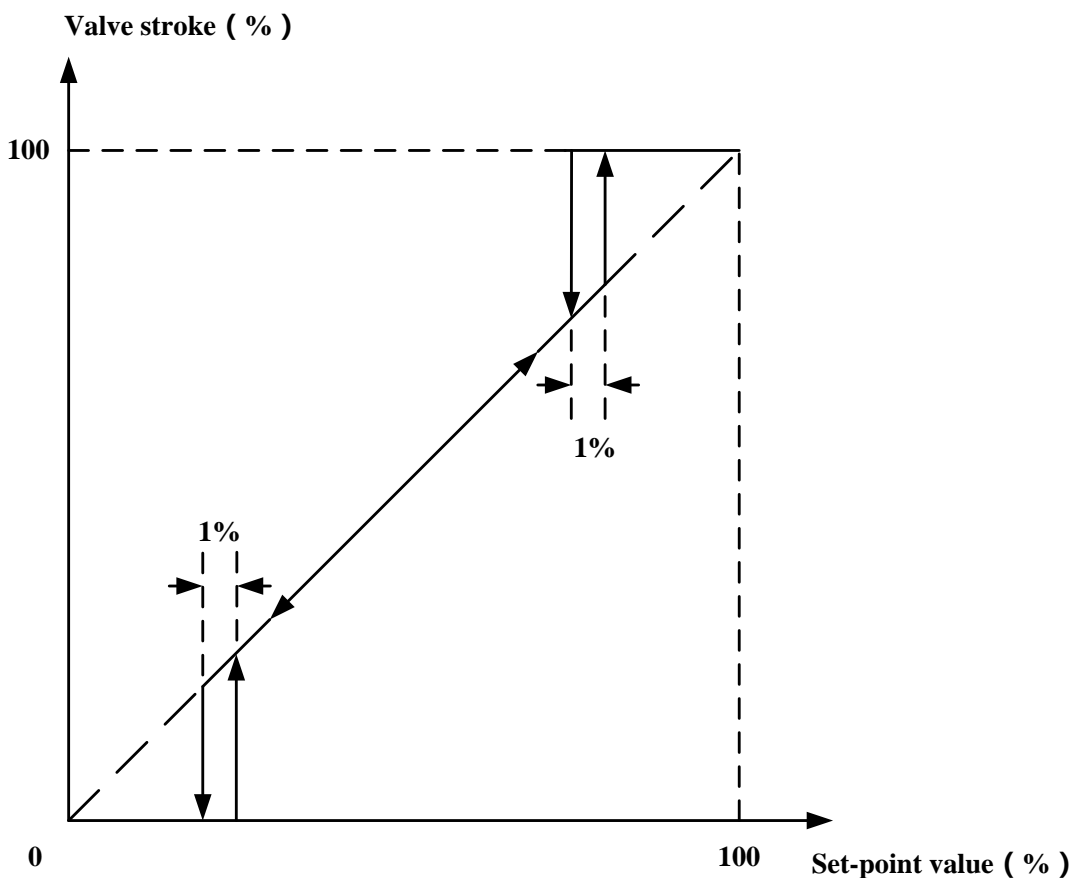


Figure 33. CUT

8.3.2.12.WP

This function is a parameter write protection function. The parameter **oFF** is write protection disabled, and the parameter **on** is write protection enabled.

Select this function in the menu interface, press button to start setting, and the parameter will flash. Press buttons to set parameter and press button to confirm.

When the write protection is enabled, all menu parameters cannot be modified and initialization cannot be run.

8.3.2.13.FACT

All setting parameters in the menu reset to factory default values.

Select this function in the menu interface, press and hold button for approx. 3s to reset to factory setting. Then the system is in an uninitialized state and the LCD displays **FINSH**.

8.3.2.14.REF



Calibrate the reference point of the linear travel feedback lever. The option is invalid for separate type.

The reference point has been calibrated when the product leaves the factory. Generally, users do not need to operate this function. If the positioner is installed, it is impossible to make the upper plane of its housing at a right angle to the main stem of the valve. It is need to re-calibrate the reference point.

Select this function in the menu interface, press and hold button for approx. 3s to run the function. Top line shows the percentage value of sensor. Press buttons to turn the feedback lever, make it at a right angle to the main stem of the valve. Press button to confirm. Top line shows the update AD value of the reference point.

8.3.3. Error message during initialization

Sign	Meaning	Possible reasons	Solutions
ERR 1	Actuator action error	<ul style="list-style-type: none"> ● No air pressure or insufficient air pressure ● There is a leakage from actuator or positioner. 	<ul style="list-style-type: none"> ● Check air source and it's pressure to make sure that it meets the requirement ● Eliminate air leakage
ERR 2	Rotation angle of actuator feedback lever or rotating shaft is error.	<ul style="list-style-type: none"> ● Positioner is not installed correctly. As a result, the rotation angle of actuator feedback 	<ul style="list-style-type: none"> ● In the initial interface (NOINI), adjust the installation position by the angle sensor percentage value displayed on LCD, make sure the minimum and maximum

		<p>lever or rotating shaft doesn't meet the installation requirements.</p> <ul style="list-style-type: none"> ● When running the manual initialization, the difference from END 1 to END 2 doesn't meet the installation requirements. 	<p>percentage difference of the angle sensor rotation is greater than 30%.</p> <ul style="list-style-type: none"> ● If it's in the manual initialization operation process, press   buttons to re-calibrate END 1 and END 2, make sure that difference percentage value between two endpoints of sensor is bigger than 30%.
ERR 3	error minimum stroke value of sensor	The positioner is not installed correctly.	<p>In the initial interface (NOINI), adjust the installation position by the angle sensor percentage value displayed on LCD.</p> <p>Make sure that minimum percentage value of sensor is bigger than 5%.</p>
ERR 4	Error maximum stroke value of sensor	The positioner is not installed correctly.	<p>In the initial interface (NOINI), adjust the installation position by the angle sensor percentage value displayed on LCD.</p> <p>Make sure that maximum percentage value of sensor is smaller than 95%.</p>

8.3.4. Tips of menu option or function cannot access

When setting menu option parameters or running initialization, the following signs may appear to indicate that they cannot be accessed. See the table below for specific instructions.

Sign	Meaning
P1	Write protection is on.
P2	Do initialization for the linear stroke valve, the reference point of the feedback lever is not calibrated.
P3	When operating the REF function option, the TYPE option parameter is Turn .
P4	Modify the TYPE option parameter after initialization.

8.3.5. Menu function options summary description

Options	Functions	Parameter value	Factory settings
1 TYPE	Actuator type setting		Lin
2 INITA	Auto initialization		
3 INITM	Manual initialization		
4 CAL→4 mA	Calibrate 4mA set point signal	Current signal AD value	765
4 CAL→20 mA	Calibrate 20mA set point signal	Current signal AD value	3823
5 SDIR	Set the direction of set point signal	riSE FALL	riSE
6 CHAR	Select characteristic curve	Lin 1:25 1:33 1:50 n1:25 n1:33 n1:50 FrEE	Lin
7 FREE→FR 0, FR 5...FR 100	Custom parameters settings	0.0% – 100.0%	0.0% 5.0% etc. to 100.0%
8 DB	Dead band	0.2 – 10.0%	1.0%
9 LIM→L MIN	Set minimum value for stroke range limit function	0.0% – 100.0%	0.0%
9 LIM→L MAX	Set maximum value for stroke range limit function	0.0% – 100.0%	100.0%
10 YDIR	Set position display and feedback direction	riSE FALL	riSE
11 CUT→C MIN	Set minimum value for tight cut function	0.0% – 100.0%	0.0%
11 CUT→C MAX	Set maximum value for tight cut function	0.0% – 100.0%	100.0%
12 WP	Write protection	oFF on	oFF
13 FACT	Reset to factory setting		
14 REF	calibration of linear travel feedback lever reference point		

8.4. Feedback signal

The positioner can be optionally equipped with a 4-20 mA feedback signal. It indicates the percentage value of the valve position.

The feedback signal will stop updating after entering the menu.

8.5. Adjust air flow

1. Remove the circuit board protective cover.

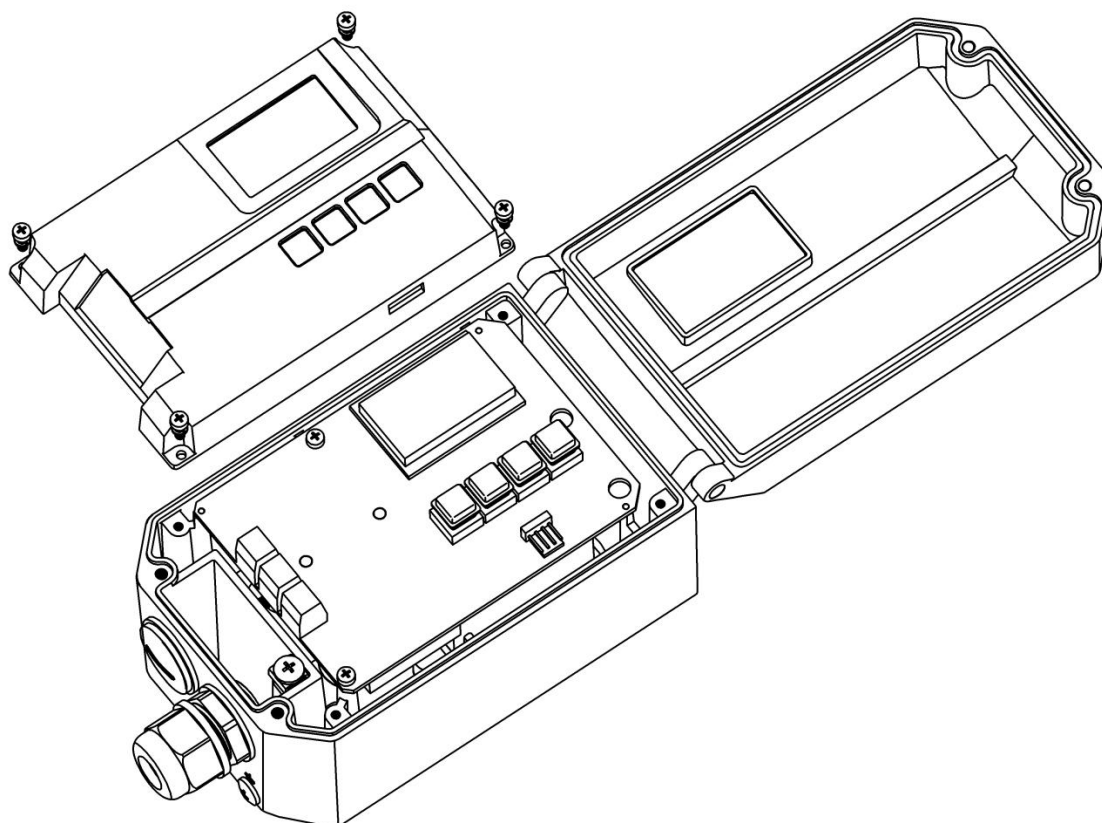


Figure 34. Remove the circuit board protective cover

NOTE : Must install or remove the circuit board protective cover when the device is powered off.

2. Adjust restrictors
 - Restrictors Y1①和 Y2② can reduce air output to increase the stability of positioning for small volume actuators.
 - Turning the Restrictors in clockwise direction with a flat blade screwdriver can reduce the air flow until it is cut off.
 - When adjusting restrictors, it is recommended to close them first and then open them again slowly.
 - Make sure two restrictors are turned to the similar position for the double-acting actuator.

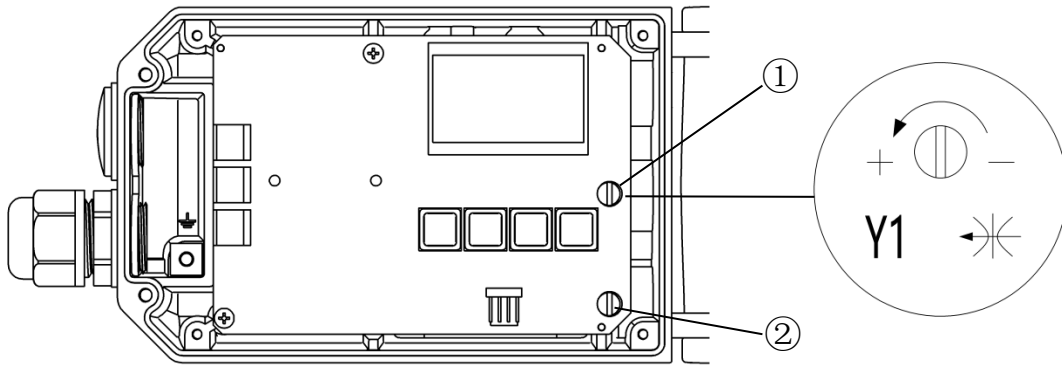


Figure 35. Air flow adjustment

- ① Restrictors Y1
- ② Restrictors Y2 , only for double-acting actuator.

9. Trouble shooting

Contents	Possible reasons	Solutions	
LCD has no display	Error electrical connections.	Check the electrical connections	
	The power supply is out of specified range	Use the proper power supply.	
	Others	Consult with manufacturer.	
There is no air output in OUT1 or OUT2 (Without any action)	The air supply pressure is abnormal	Check the setting of the air pressure reducing valve.	
	No input current	Make sure the input current is proper. (4-20mA DC)	
	Accessory pipe leakage	Check the pipe and connection to make sure that there isn't any leakage.	
	Others	Consult with manufacturer.	
Bad accuracy (Linear and hysteresis phenomena)	The air supply pressure changes	Check whether there is any abnormality of the air supply pressure reducing valve	
	The mounting bolts loose	Make sure the mounting bolts are tightened.	
	The connection place between the positioner and the actuator has gap	Check the connection.	
	Set-point value deviation		Adjust the current output signal.
			Calibrate the set-point signal.
Others		Consult with manufacturer.	

10. Warranty terms

1. If the product is found to have quality problems which are confirmed by our company staff, customers have after-sale services for product maintenance or free replacement in the warranty period. Service response time is 24 hours (excluding non-working days).
2. The warranty period of the product is based on the company's latest warranty policy, which is no less than 12 months after the sale.
3. The following situations for repaired product do not belong to the warranty range:
 - (1) The date is not in the warranty period.
 - (2) The product is disassembled without authorization and permit by the product company.
 - (3) The damage causes from the operation which is not according to the product instruction manual or other human factors. Including but not limited to:
 - 1> The product surface has collision scars.
 - 2> Error wiring or error power supply makes the product damaged.
 - 3> Parts and accessories are lost.
 - 4> The product is damaged due to the oil entering the product without oil separator or filter pressure reducer being installed.
 - 5> Error using the waterproof electrical connectors makes the product damaged.
 - (4) Force majeure (natural disasters) causes product failure or damage.
4. According to the actual situation, the product company offers the free or fee-based maintenance services outside the warranty range.
5. The terms become effective since the two sides signed a supply contract.

V211119

The changed contents of this manual are not noticed.

The Company reserves the final interpretation for related technical updating